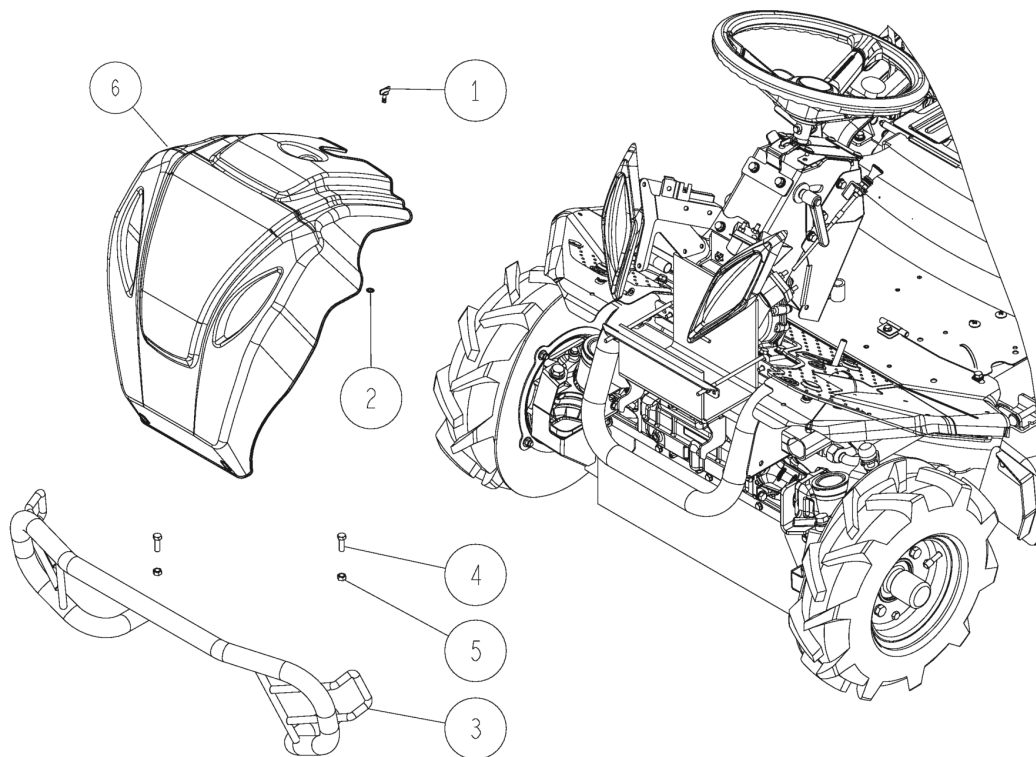


Number	Part Number	Name	Quantity
1	44084	FRONT COVER LOCK	1,000
2	44088	LOCK STOP	1,000
3	44276	FRONT BUMPER	1,000
4	-	-	1,000
6	44277	FRONT COVER	1,000

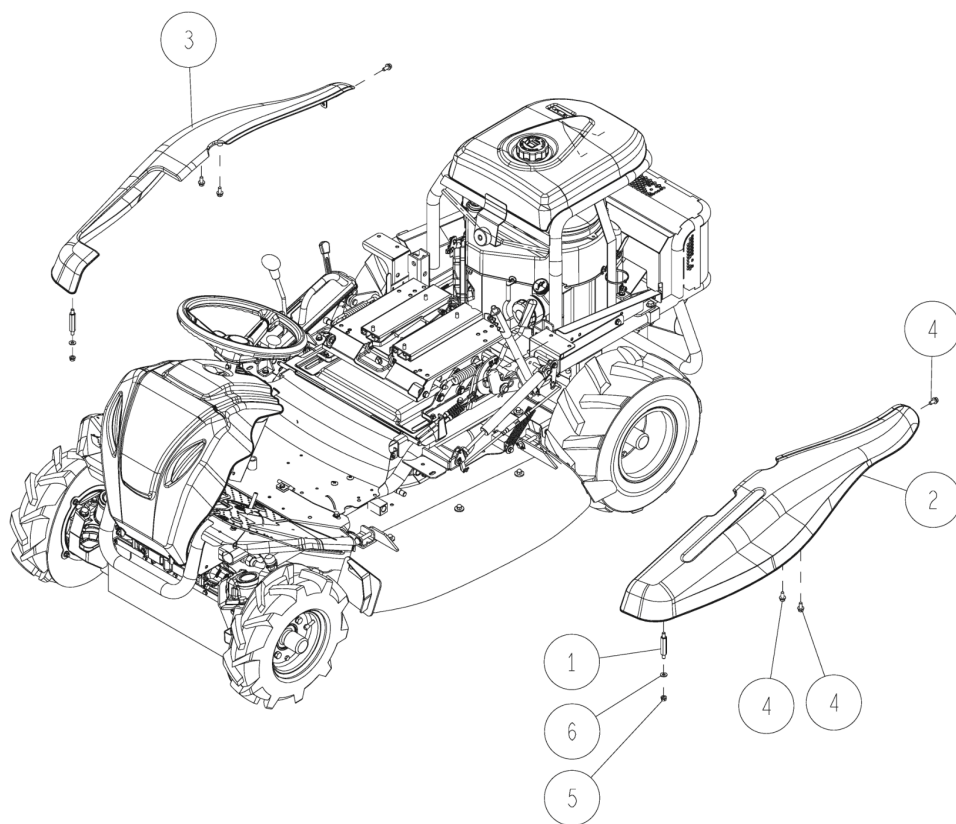
PL02571



03/2019

Number	Part Number	Name	Quantity
1	43984	STUD	1,000
2	44036	LEFT SIDE COVER	1,000
3	44037	RIGHT SIDE COVER	1,000
4	34308	SCREW M8X16	1,000
5	34315	NUT 8	1,000
6	34326	WASHER 8	1,000

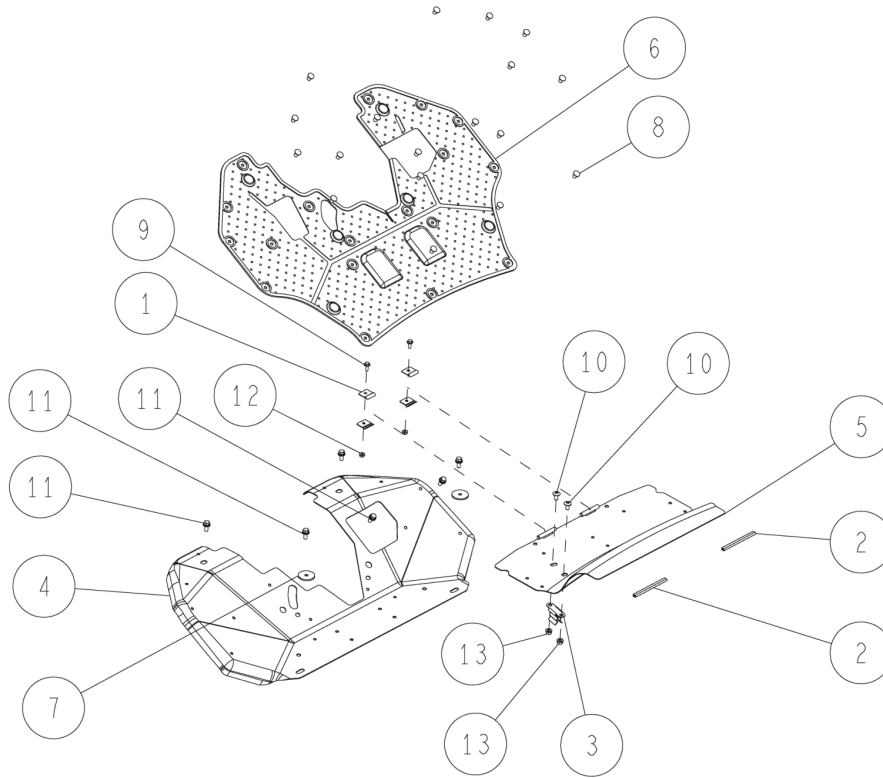
PL02572



03/2019

Number	Part Number	Name	Quantity
1	43956	CENTERING PLATE	1,000
2	43990	RUBBER 110 MM	1,000
3	44033	CLIP SEAT COVER	1,000
4	44150	RUNNING STEP	1,000
5	44196	CENTR. RUNNING STEP	1,000
6	44227	RUNNING STEP REVET.	1,000
7	27909	WASHER 8X40X2,3	1,000
8	27319	GRIP	1,000
9	27893	SCREW HM6X20+WASHER	1,000
10	34306	SCREW M8X16	1,000
11	34309	SCREW M8X20	1,000
12	34313	NUT 6	1,000
13	34315	NUT 8	1,000

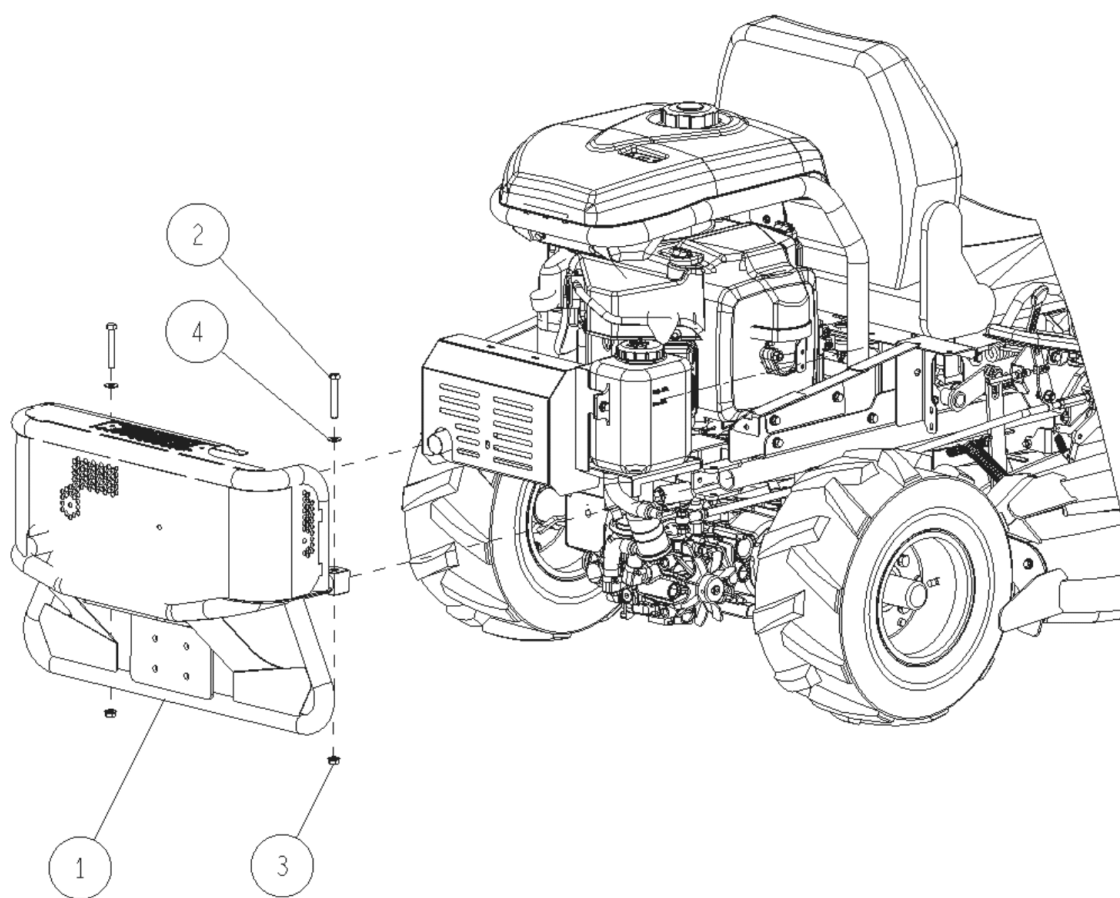
PL02573



03/2019

Number	Part Number	Name	Quantity
1	44148	REAR BUMPER	1,000
2	-	-	1,000
4	34327	WASHER 10	1,000

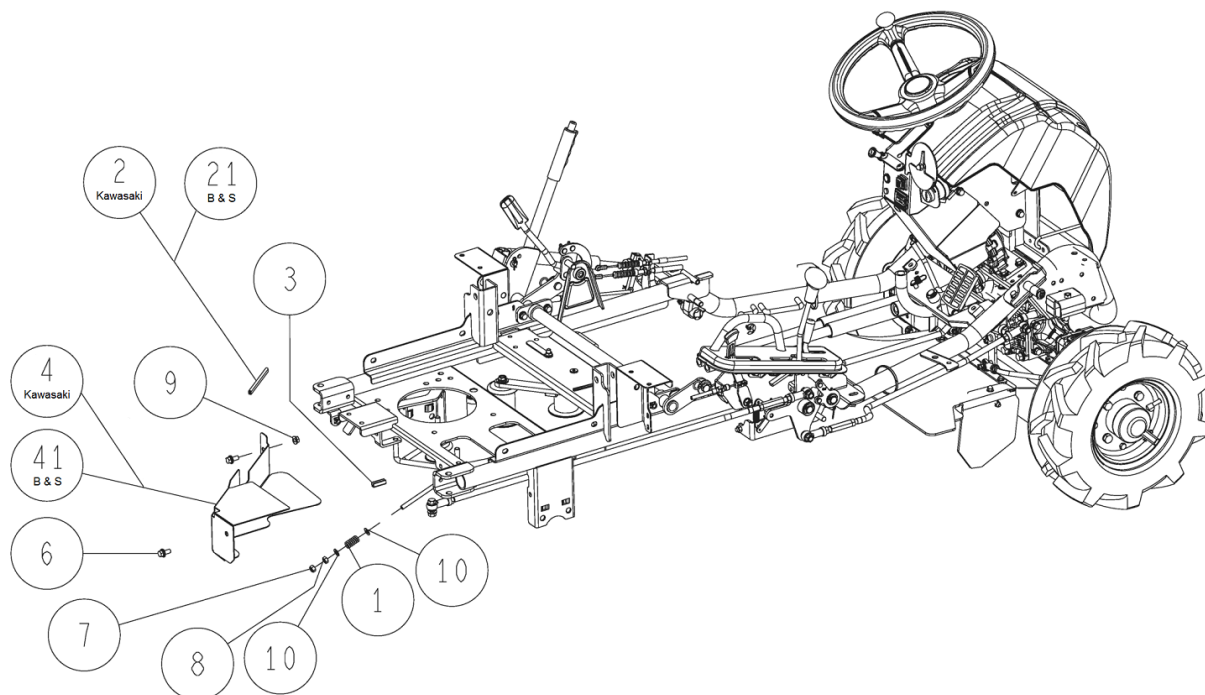
PL02336



08/2017

Number	Part Number	Name	Quantity
1	27682	BRAKE SPRING	1,000
2	43990	RUBBER 110 MM	1,000
3	-	-	1,000
4	44158	BELT COVER	1,000
6	34309	SCREW M8X20	1,000
9	27501	NUT FLANGE M8	1,000
10	34319	WASHER 8X18X1,6	1,000
41	44350	BELT COVER	1,000

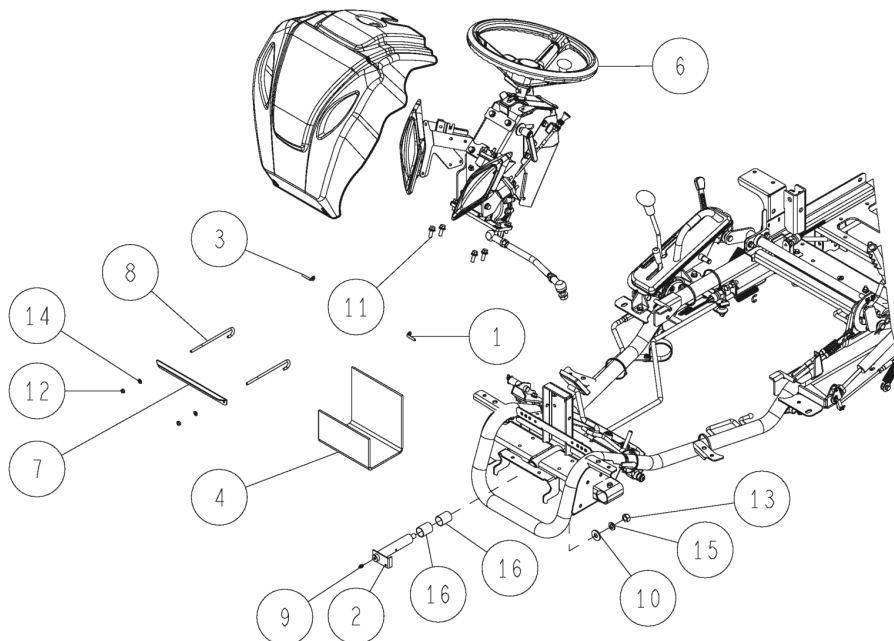
PL02575



05/2022

Number	Part Number	Name	Quantity
1	27847	BATTER.PLUS CORD230	1,000
2	34821	AXLE SHAFT	1,000
3	44089	GROUND CABLE	1,000
4	44090	CAOUT.PROTECT.BATT.	1,000
6	-	-	1,000
7	44278	BATTERY FIXING	1,000
8	44279	BATTERY ROD	1,000
9	27246	GREASE NIPPEL	1,000
11	27895	DEFLEKTOR SCREW	1,000
14	34318	WASHER 6	1,000
15	27353	SPRING WASHER A12	1,000
16	27660	DU BUSH 25.35	1,000
17	44056	BATTERY FIXING	1,000
18	34309	SCREW M8X20	1,000
19	27501	NUT FLANGE M8	1,000
20	44280	ELEC.WIRING AK98X 2	1,000

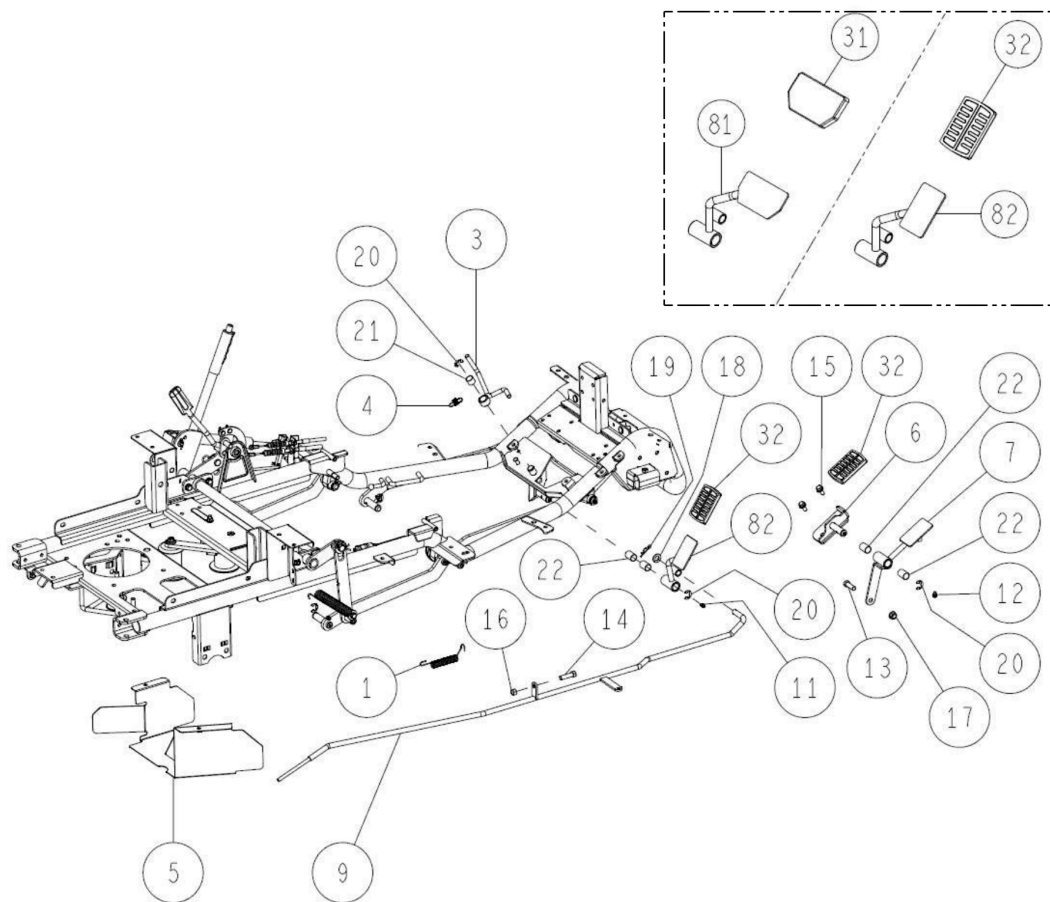
PL02576



03/2019

Number	Part Number	Name	Quantity
1	27936	SPRING	1,000
3	44010	BRAKE LOCKING LEVER	1,000
4	44011	SPRING	1,000
5	44103	BELT COVER	1,000
6	44229	PEDALE BRACKET	1,000
7	44228	DRICE PEDALE	1,000
9	44137	BRAKE ROD	1,000
11	27246	GREASE NIPPEL	1,000
12	27360	GREASE NIPPEL M 6	1,000
13	34307	SCREW M10X30	1,000
15	34309	SCREW M8X20	1,000
17	34317	NUT 10	1,000
18	34320	WASHER 12	1,000
19	27566	SNAP RING 12	1,000
20	27313	SNAP RING E TYPE 12	1,000
21	34343	BUSH 16-15 DU	1,000
22	27612	DU BUSH 16-25	1,000
31	44035	CAOUTCHOUC	1,000
32	27224	PEDAL RUBBER	1,000
81	-	-	1,000
82	44136	BRAKE PEDAL	1,000

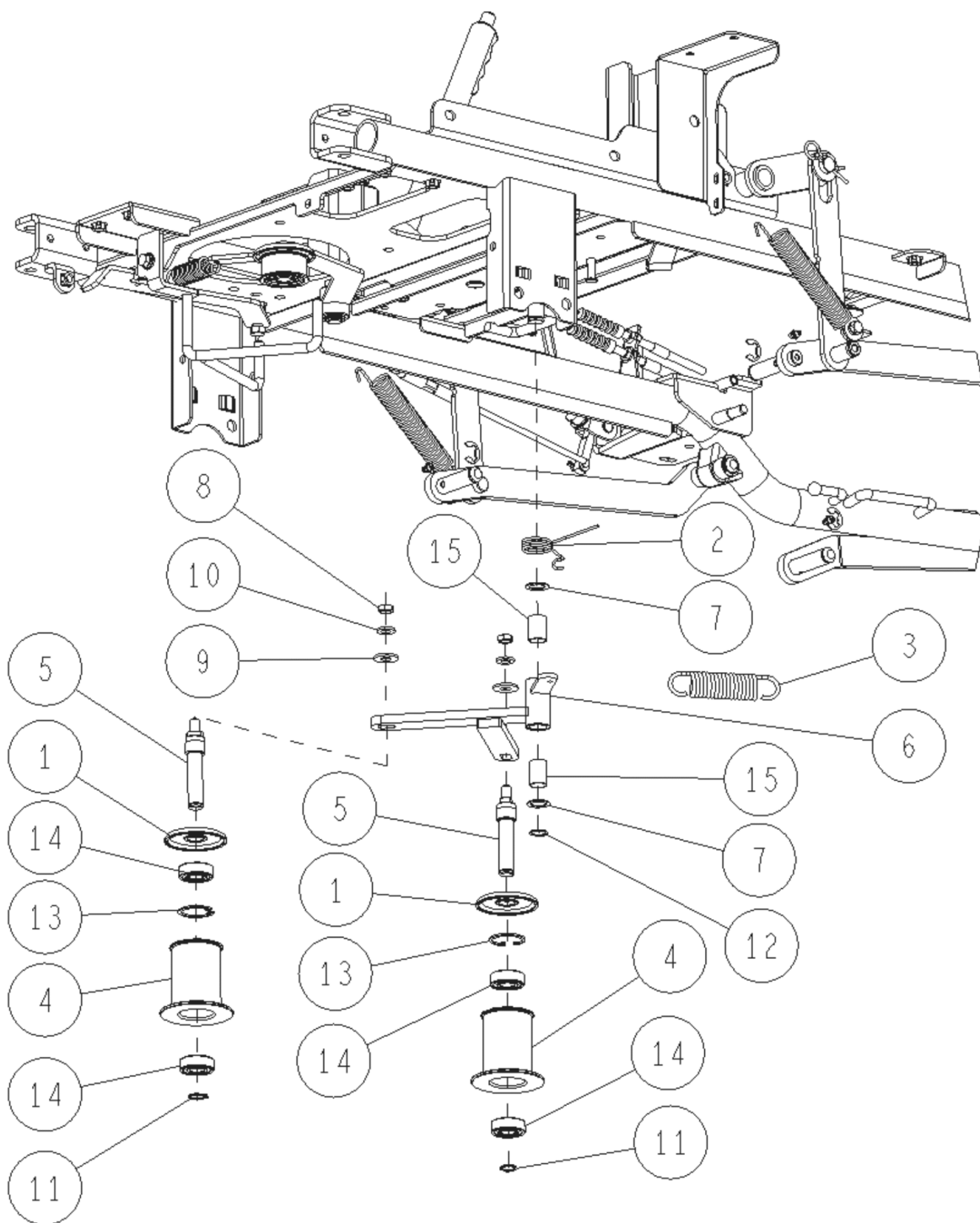
PL02340



11/2018

Number	Part Number	Name	Quantity
1	27226	RUBBER COVER 58	1,000
2	27391	RETURN SPRING	1,000
3	34102	SPRING	1,000
4	34826	PULLEY	1,000
5	34182	TENSIONNER AXLE	1,000
6	44102	TENSION.ARM BLADE	1,000
7	27364	WASHER 16X24X1	1,000
8	34317	NUT 10	1,000
9	34323	WASHER 10	1,000
10	71052	SPRING WASHER,DIN 1	1,000
11	34339	CIRCLIP 15	1,000
12	27365	SNAP RING 16	1,000
13	71039	CIRCLIP,DIN 427 35X	1,000
14	25112	BALL BEARING,6202 S	1,000
15	27612	DU BUSH 16-25	1,000

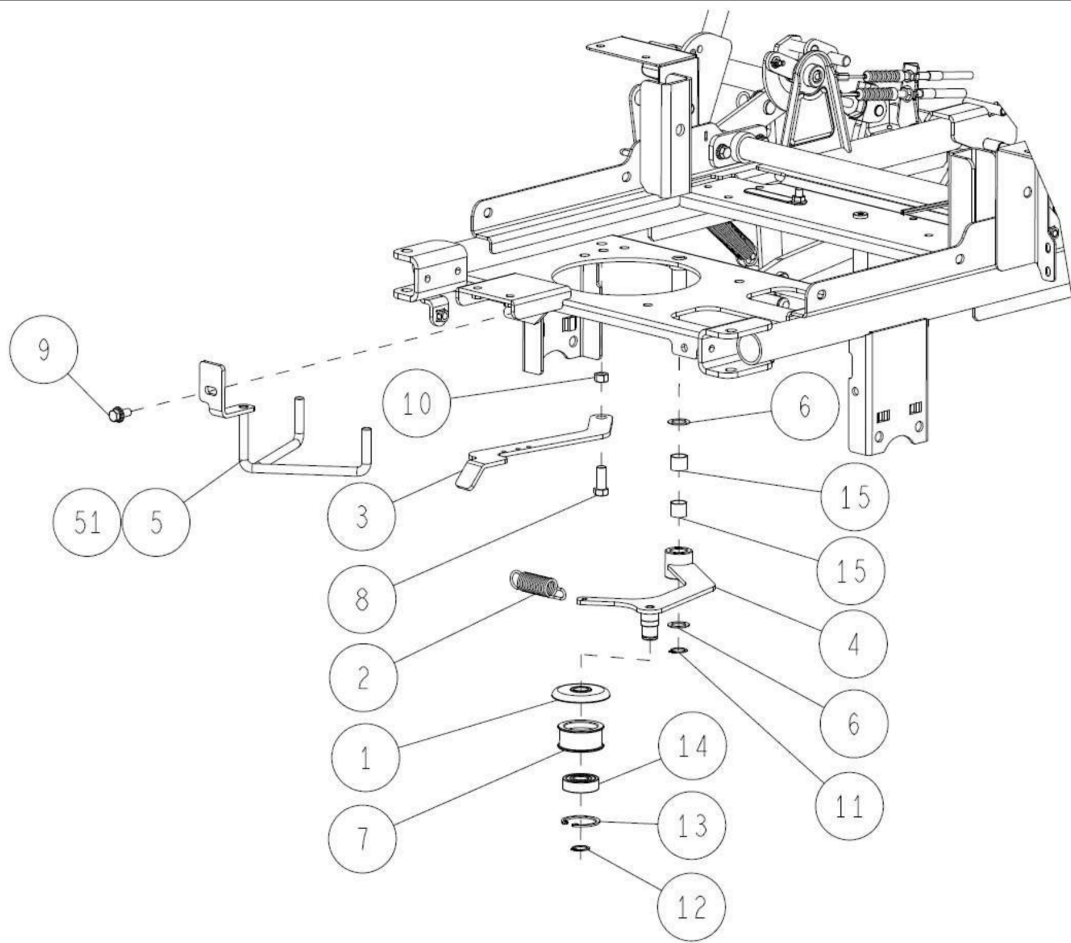
PL02341



08/2017

Number	Part Number	Name	Quantity
1	27226	RUBBER COVER 58	1,000
2	27222	TENS.SPRING	1,000
3	44066	TENSIONER ARM	1,000
4	44156	TENSIONNER ARM	1,000
5	-	-	1,000
6	27364	WASHER 16X24X1	1,000
7	27221	TENSION PULLEY	1,000
9	34309	SCREW M8X20	1,000
11	27365	SNAP RING 16	1,000
12	27376	SNAP RING 17	1,000
13	27374	SNAP RING 40	1,000
14	6058	BEARING 62032RS	1,000
15	34343	BUSH 16-15 DU	1,000
51	44019	BELT GUIDE	1,000

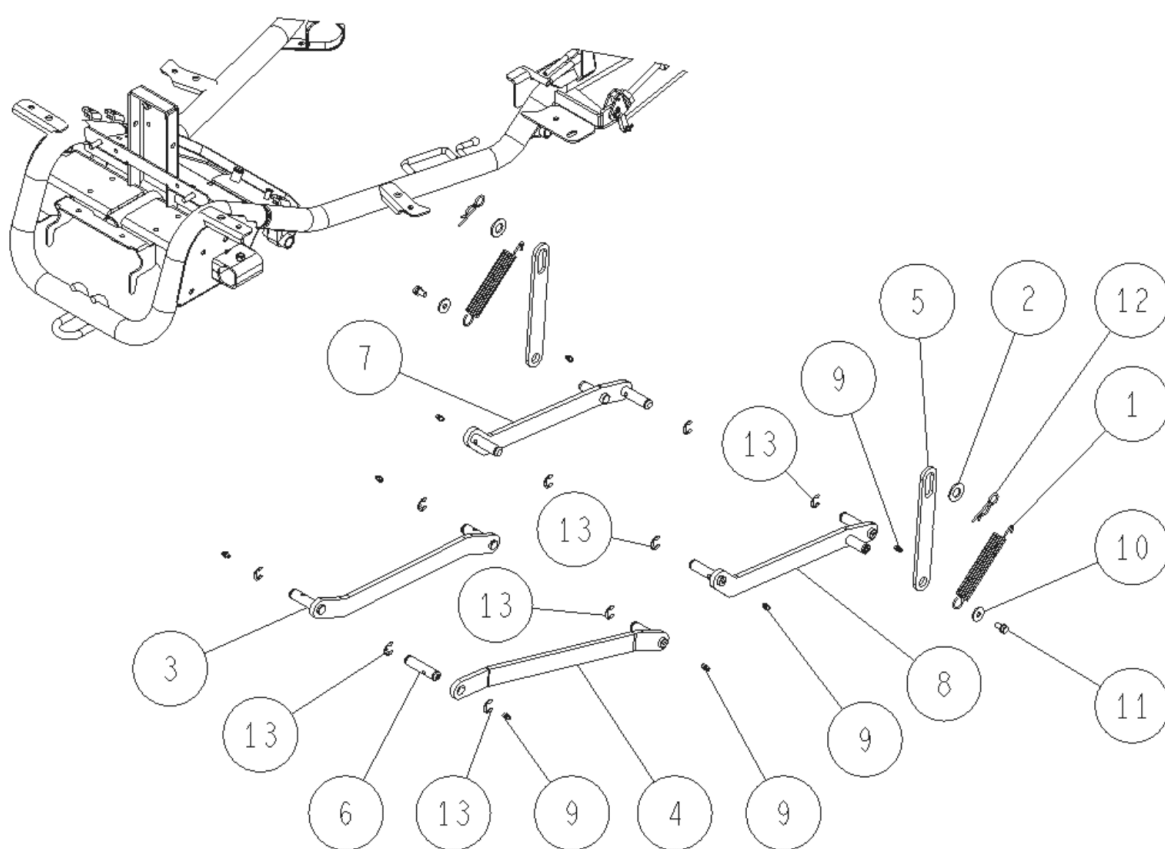
PL02343



11/2018

Number	Part Number	Name	Quantity
1	44211	SPRING	1,000
2	27749	WASHER 16X32X3,2	1,000
3	44161	FRONT RIGHT ARM	1,000
4	44162	FRONT LEFT ARM	1,000
5	44163	PLATE	1,000
6	44164	AXE FRONT LEFT	1,000
7	44202	ARM REAR RIGHT	1,000
8	44203	ARM REAR LEFT	1,000
9	27246	GREASE NIPPEL	1,000
10	27940	WASHER 8X25X2,3	1,000
11	-	-	1,000
12	34334	PIN	1,000
13	27313	SNAP RING E TYPE 12	1,000

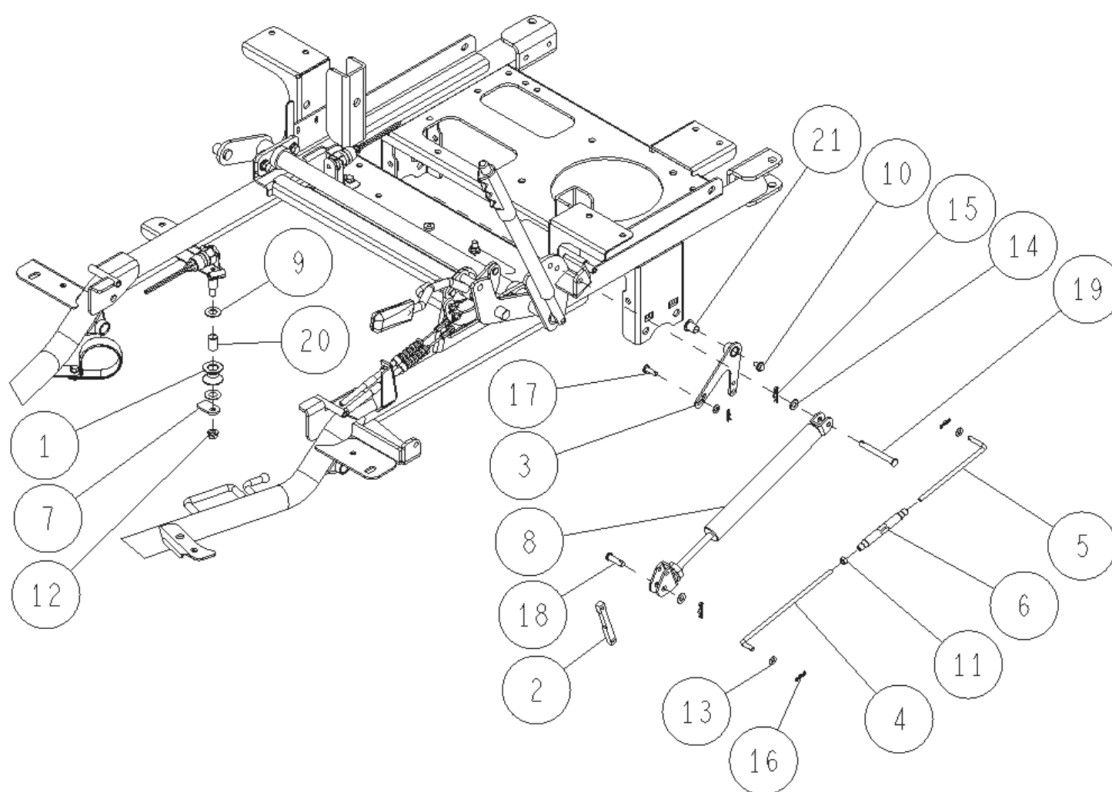
PL02344



08/2017

Number	Part Number	Name	Quantity
1	34289	PULLEY	1,000
2	34124	LEVER	1,000
3	34126	LEVER	1,000
4	34127	LEFT ROD	1,000
5	34128	RIGHT ROD	1,000
6	34129	ADJUST ROD	1,000
7	34164	BRAKE PLATE	1,000
8	44092	GAZ CYLINDER	1,000
9	27390	WASHER 12X24X1	1,000
10	27896	SCREW+WASHER HM6X12	1,000
11	-	-	1,000
12	34315	NUT 8	1,000
13	34318	WASHER 6	1,000
14	34319	WASHER 8X18X1,6	1,000
15	27324	SNAP PIN 8	1,000
16	27751	SNAP PIN 6	1,000
17	34335	AXLE 6X20	1,000
18	34336	AXLE 8X28	1,000
19	44219	AXLE 8X69	1,000
20	27520	BUSH MB 122 ODV	1,000
21	27349	DU BUSH 10.15.18F	1,000

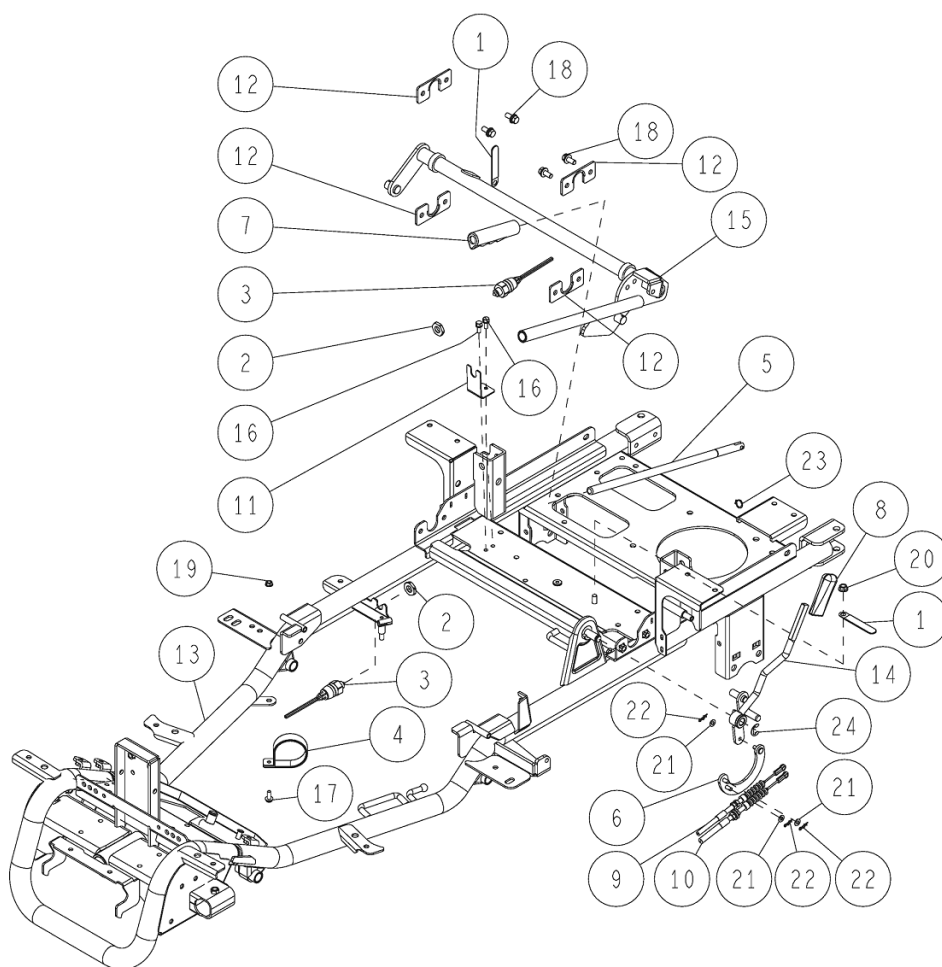
PL02345



08/2017

Number	Part Number	Name	Quantity
1	27314	HARNESS CLIP	1,000
2	27856	SWITCH LOCK NUT	1,000
3	27855	SAFETY SWITCH	1,000
4	34773	WIRING FIXING	1,000
5	34125	CUTTING HEIGHT ROD	1,000
6	34141	CABLE PLATE	1,000
7	34219	GRIP	1,000
8	43987	BLADE LEVER HANDLE	1,000
9	44094	BLADE BRAKE CABLE	1,000
10	44093	BLADE CLUTCH CABLE	1,000
11	44053	SECUR.SWITCHBRACKET	1,000
12	44351	CUT.HEIGHT BEARING	1,000
13	44147	FRAME AK98X	1,000
14	44177	CLUTCH LEVER	1,000
15	44201	UP/DOWN/ADJUS.SHAFT	1,000
16	-	-	1,000
18	34309	SCREW M8X20	1,000
19	34313	NUT 6	1,000
20	27501	NUT FLANGE M8	1,000
21	34318	WASHER 6	1,000
22	27751	SNAP PIN 6	1,000
23	34338	CIRCLIP 13	1,000
24	27313	SNAP RING E TYPE 12	1,000

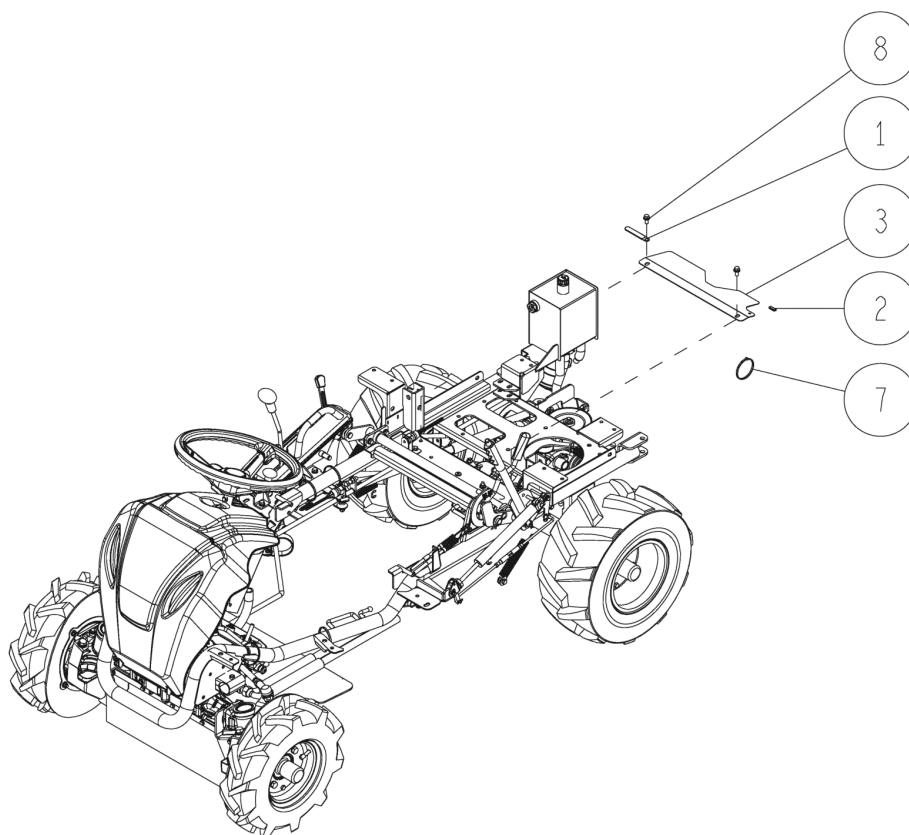
PL02346



05/2022

Number	Part Number	Name	Quantity
1	27314	HARNESS CLIP	1,000
2	43972	RUBBER 20MM	1,000
3	44057	BELT COVER	1,000
7	-	-	1,000
8	34309	SCREW M8X20	1,000

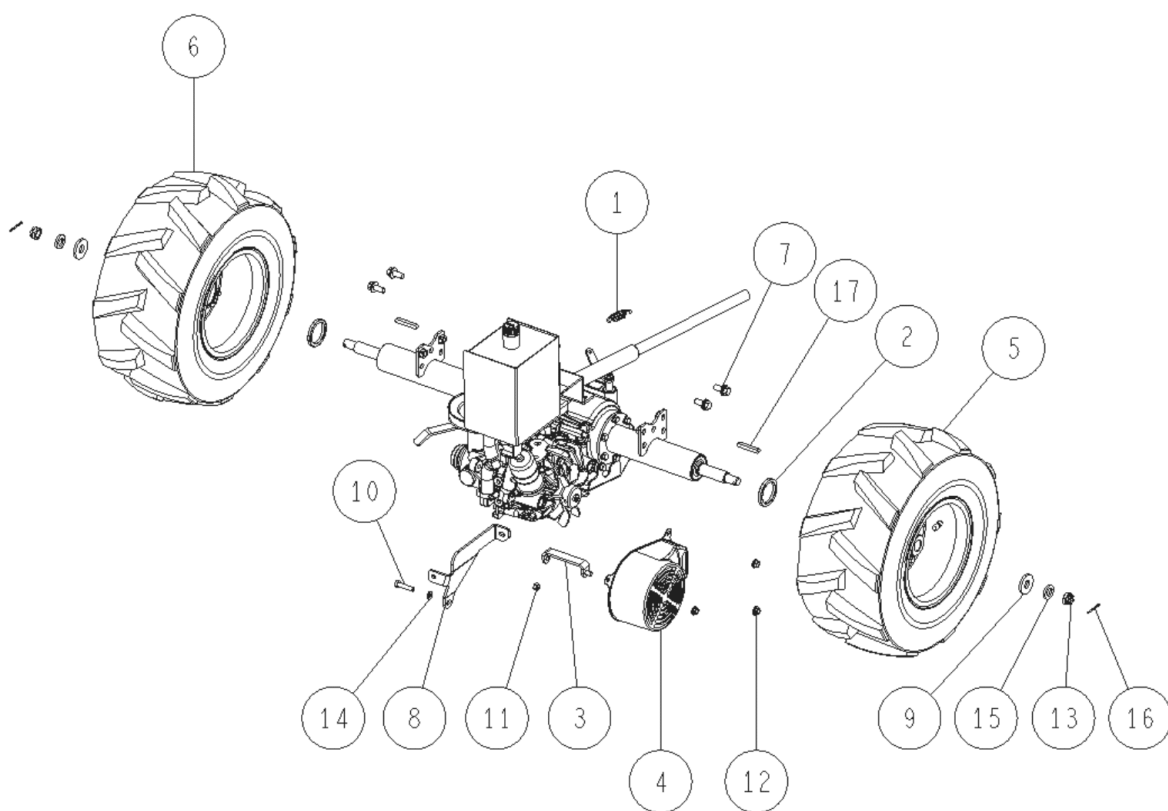
PL02577



03/2019

Number	Part Number	Name	Quantity
1	27307	SPRING	1,000
2	27712	WHEEL BOS DUST SEAL	1,000
3	34781	FIXING PLATE	1,000
4	34787	FLYWHEEL GRID	1,000
5	34264	R. REAR WHEEL AV98	1,000
6	34265	LEFT REAR WHEELAV98	1,000
7	34269	SCREW M10X25	1,000
8	44131	REAR DECK FIXING	1,000
9	27437	WASHER 16X40X4,5	1,000
10	-	-	1,000
12	27501	NUT FLANGE M8	1,000
13	27435	NUT M16	1,000
14	71343	SPRING WASHER A8	1,000
15	27436	SPRING WASHER	1,000
16	34332	PIN 3.5X35	1,000

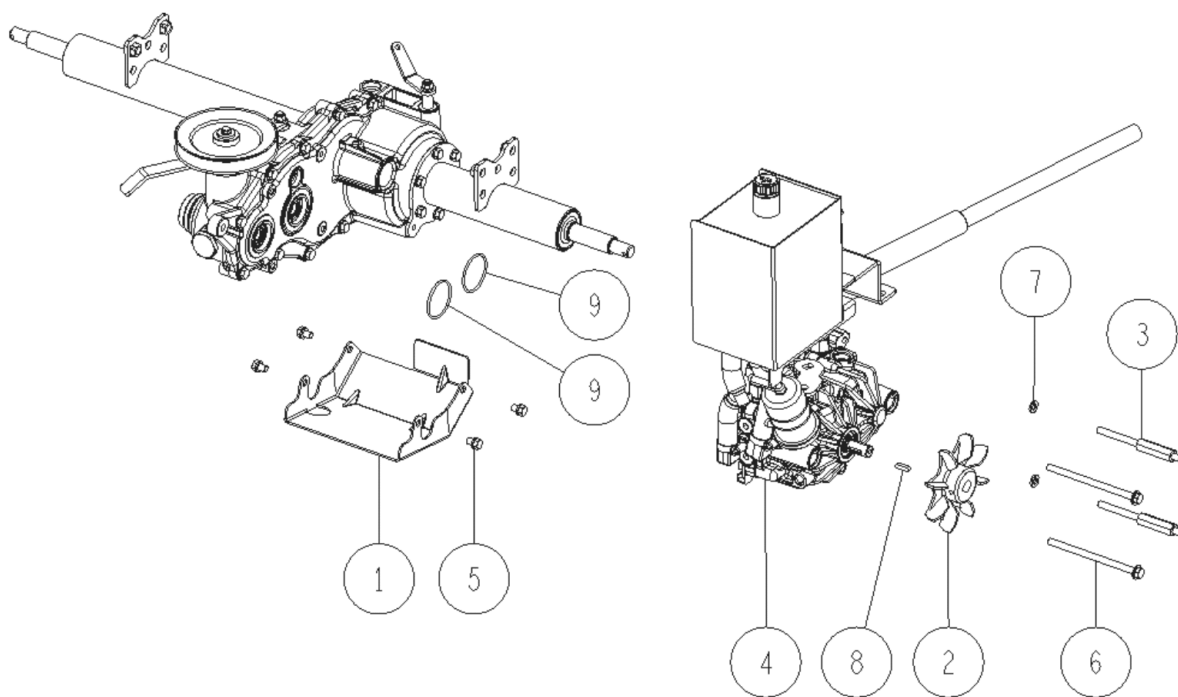
PL02349



08/2017

Number	Part Number	Name	Quantity
1	27845	MISSION GUARD	1,000
2	34767	FLYWHEEL	1,000
3	34782	THREADED SPACER	1,000
4	-	-	1,000
6	34857	SCREW M8X130	1,000
7	71343	SPRING WASHER A8	1,000
8	27690	KEY 5X20	1,000
9	27838	O-RING G45	1,000

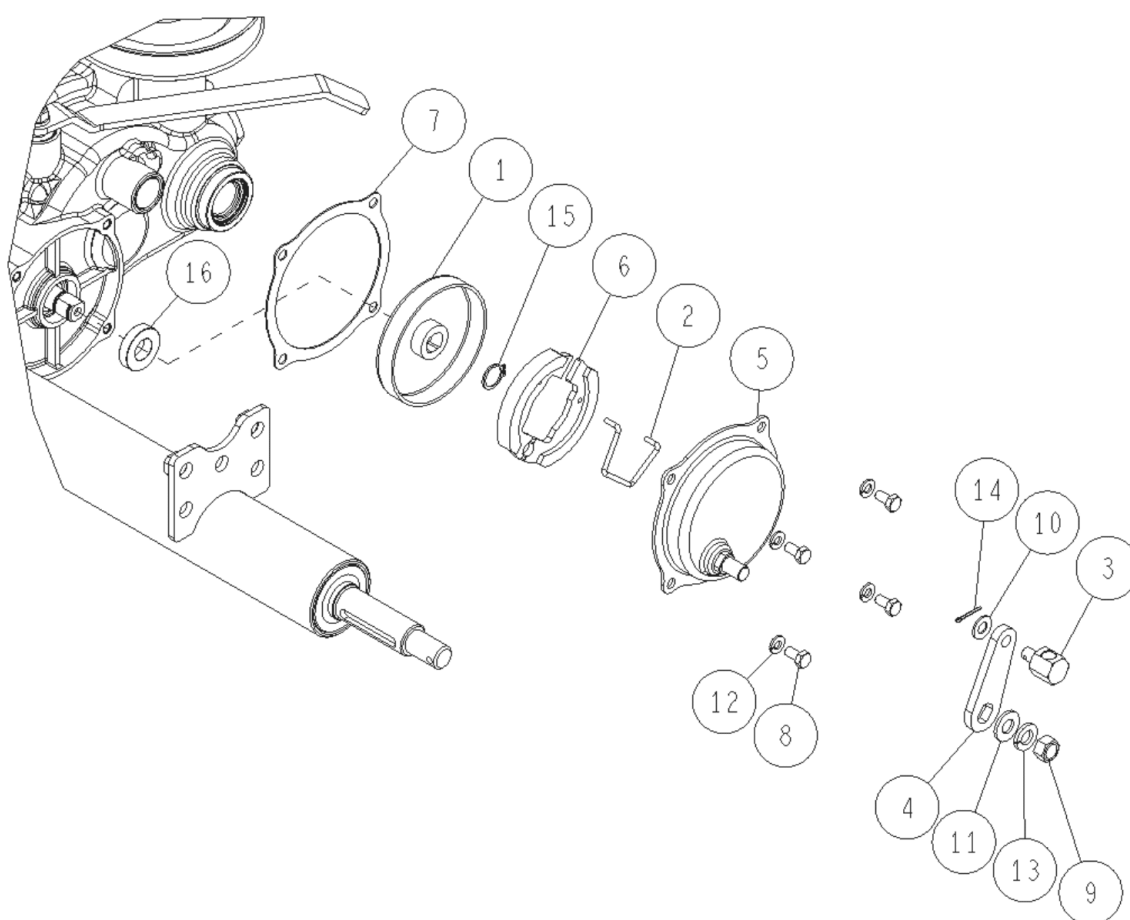
PL02350



08/2017

Number	Part Number	Name	Quantity
1	27453	BRAKE DRUM (PA-7)	1,000
2	34285	SPRING	1,000
3	27820	BRAKE JOINT	1,000
4	-	-	1,000
6	27455	BRAKE SHOE SET	1,000
7	43991	GASKET	1,000
8	27457	HEXA.SCREW M6X12 8T	1,000
9	9017	NUT HM10	1,000
10	71343	SPRING WASHER A8	1,000
12	71049	SPRING WASHER,DIN 1	1,000
13	71052	SPRING WASHER,DIN 1	1,000
14	27337	SPLINT PIN 2X15	1,000
15	34339	CIRCLIP 15	1,000
16	27818	OIL SEAL UE 15X30X7	1,000

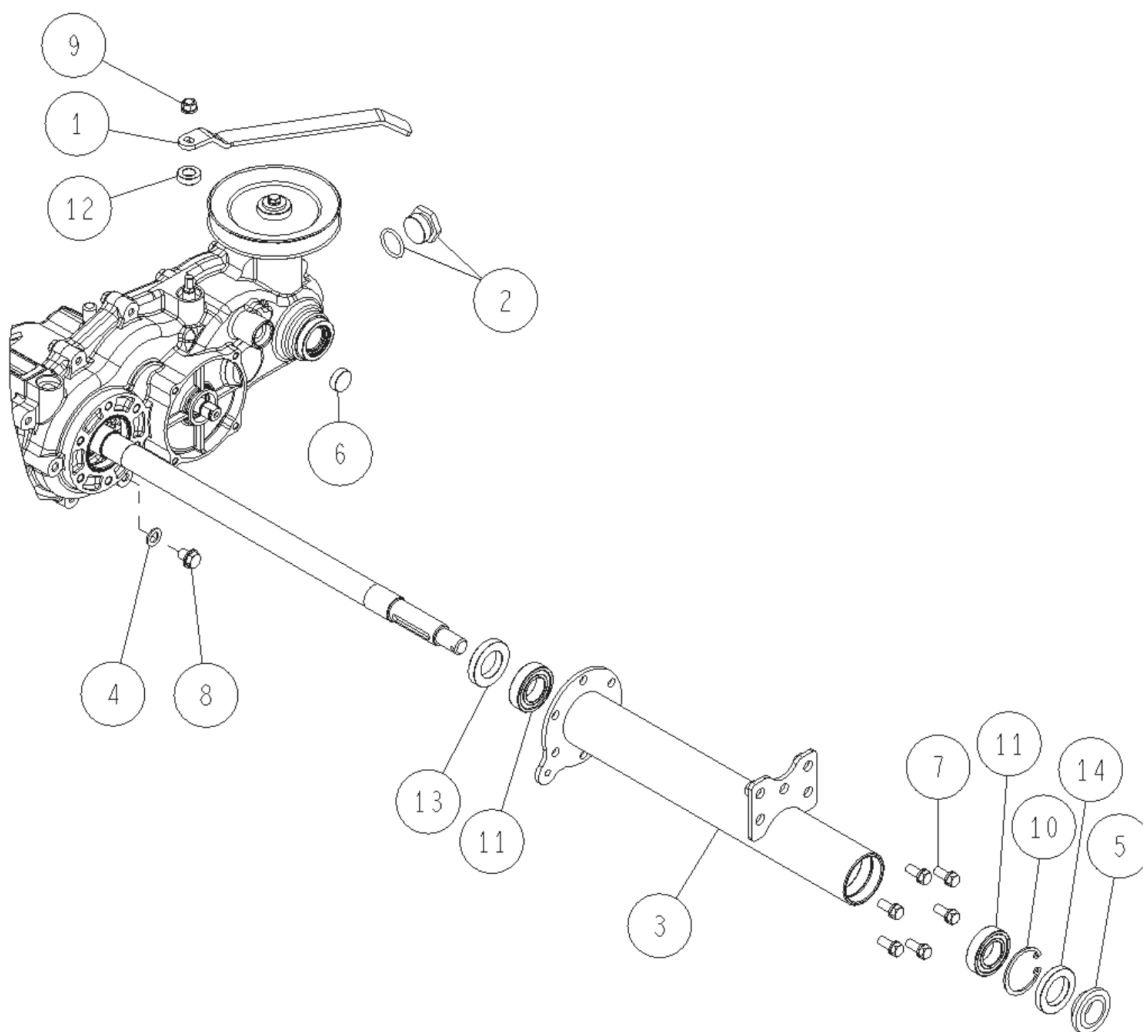
PL02351



08/2017

Number	Part Number	Name	Quantity
1	27952	SUB CHANGE ARM	1,000
2	34670	PLUG + GASKET	1,000
3	43992	AXLE CASE LEFT	1,000
4	27535	WASHER 10,5X18X1,6	1,000
5	27441	OIL SEAL AP 30X47X7	1,000
6	27831	BLACK CAP 22	1,000
7	-	-	1,000
8	27605	SCREW M10-12 (125)	1,000
9	34315	NUT 8	1,000
10	27442	SNAP RING 47	1,000
11	27653	BEARING 6005	1,000
12	27806	OIL SEAL 12X22X7	1,000
13	34345	GASKET 28.47.8	1,000
14	34346	GASKET 30.47.7	1,000

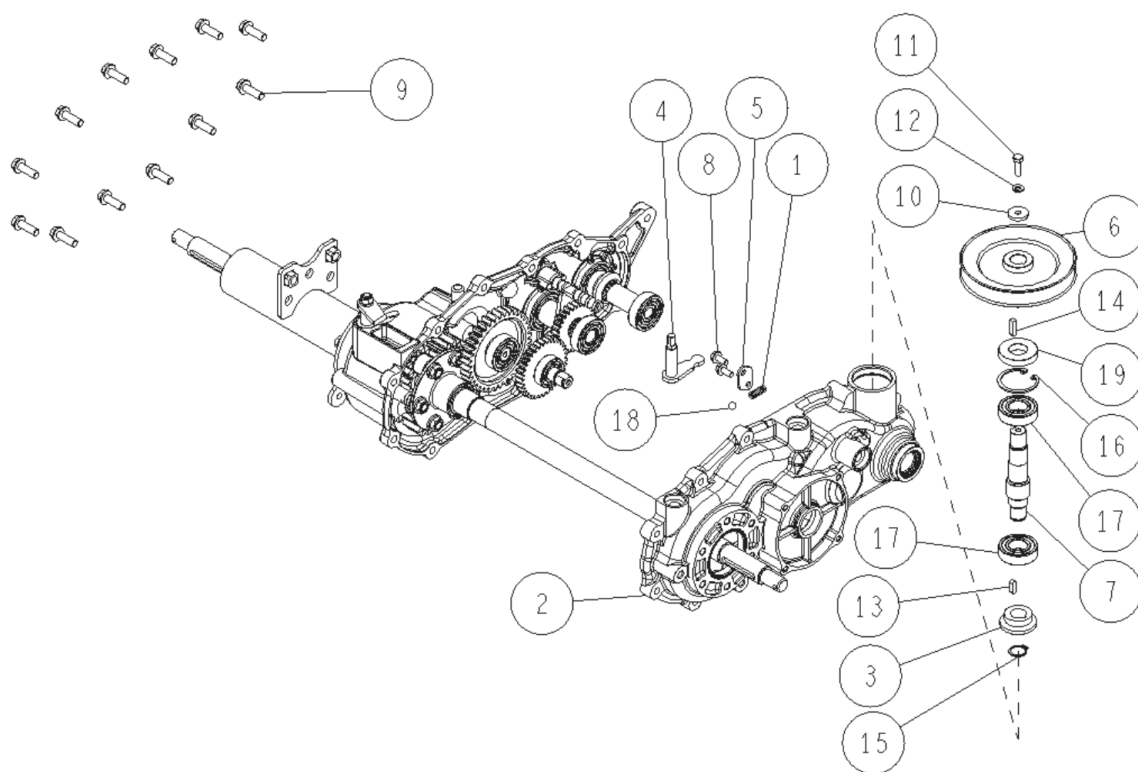
PL02352



08/2017

Number	Part Number	Name	Quantity
1	27803	SPRING 1,4	1,000
2	27791	TRANSMIS.CASE LEFT	1,000
3	27795	20T SPIR.MITA GEAR	1,000
4	27800	SWING ARM	1,000
5	27804	SHIFT SPRING HOLDER	1,000
6	27799	TRANSMISSION PULLEY	1,000
7	34664	IMPUT SHAFT	1,000
8	27805	TAB TIGHT M6X14	1,000
9	27830	HEX.TAP TIGHT M8X25	1,000
10	27220	WASHER 6,5X22X3,2	1,000
11	-	-	1,000
12	71049	SPRING WASHER,DIN 1	1,000
13	27794	KEY 5X16	1,000
14	27796	KEY 5X20	1,000
15	27376	SNAP RING 17	1,000
16	27797	SNAP RING 42	1,000
17	27651	BEARING 6004	1,000
18	27802	STEEL BALL D.8	1,000
19	34681	GASKET	1,000

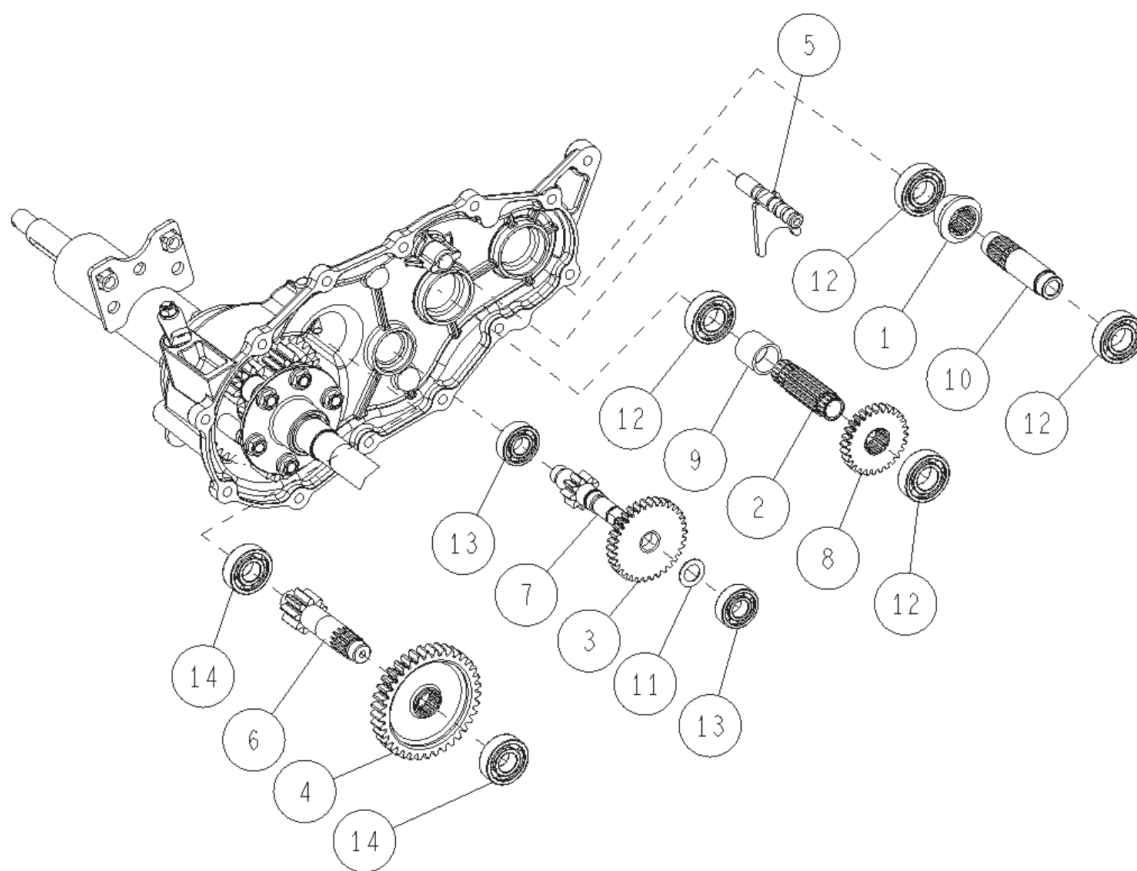
PL02353



08/2017

Number	Part Number	Name	Quantity
1	27809	20T SPIRAL MIT GEAR	1,000
2	27810	C AXLE	1,000
3	27816	BRAKE SHAFT 34TGEAR	1,000
4	27821	D AXLE 37T GEAR	1,000
5	27801	SHIFT FORK	1,000
6	27533	D. AXLE	1,000
7	34690	BRAKE AXLE	1,000
8	27953	SHIFT GEAR	1,000
9	27954	COLLAR	1,000
10	34765	AXLE B	1,000
11	27813	WASHER 15X24X1	1,000
12	27651	BEARING 6004	1,000
13	40465	BEARING 6202	1,000
14	27649	BEARING 6203	1,000

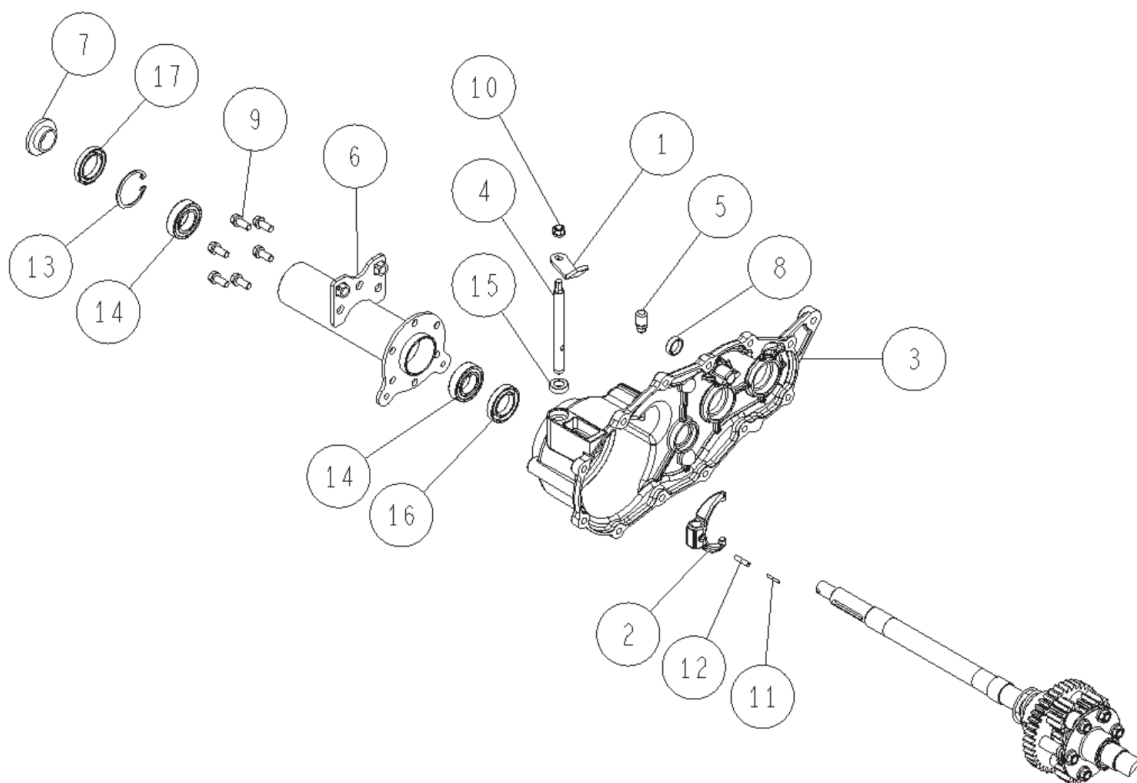
PL02354



08/2017

Number	Part Number	Name	Quantity
1	27500	DIFFERENT.LOCK ARM	1,000
2	27464	FORK	1,000
3	27792	TRANSMIS.CASE RIGHT	1,000
4	27822	DIF.LOCK FORK SHAFT	1,000
5	27829	AIR BLEEZER	1,000
6	43993	AXLE CASE RIGHT	1,000
7	27441	OIL SEAL AP 30X47X7	1,000
8	27831	BLACK CAP 22	1,000
9	-	-	1,000
10	34315	NUT 8	1,000
11	27824	SPRING PIN 3X20	1,000
12	27465	SPRING PIN 5X22	1,000
13	27442	SNAP RING 47	1,000
14	27653	BEARING 6005	1,000
15	27806	OIL SEAL 12X22X7	1,000
16	34345	GASKET 28.47.8	1,000
17	34346	GASKET 30.47.7	1,000

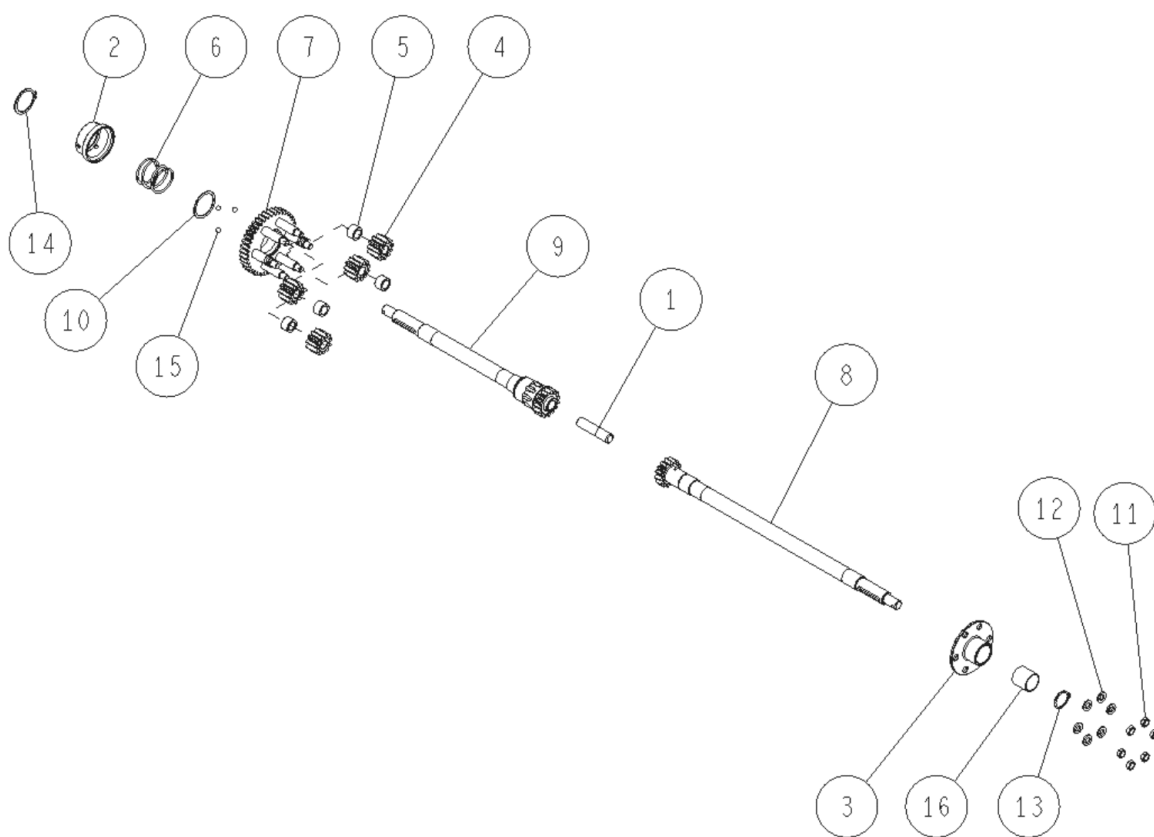
PL02355



08/2017

Number	Part Number	Name	Quantity
1	27490	AXLE PIN	1,000
2	27485	DIFF.LOCK CONE	1,000
3	27492	DIFF.LOCK PLATE	1,000
4	27495	DIFF.LOCK GEAR 11T	1,000
5	27496	AXLE COLLAR DIFF.	1,000
6	27486	DIFF.LOCK SPRING	1,000
7	27534	AXLE GEAR CMP	1,000
8	43994	LEFT AXLE	1,000
9	43995	AXLE RIGHT	1,000
10	27487	WASHER 40X48X1,0	1,000
11	34317	NUT 10	1,000
12	71052	SPRING WASHER,DIN 1	1,000
13	27494	SNAP RING 28	1,000
14	27638	OUT.CIRCLIP 40	1,000
15	27481	STEEL BALL DIA.7,5	1,000
16	27493	BUSH 28.30	1,000

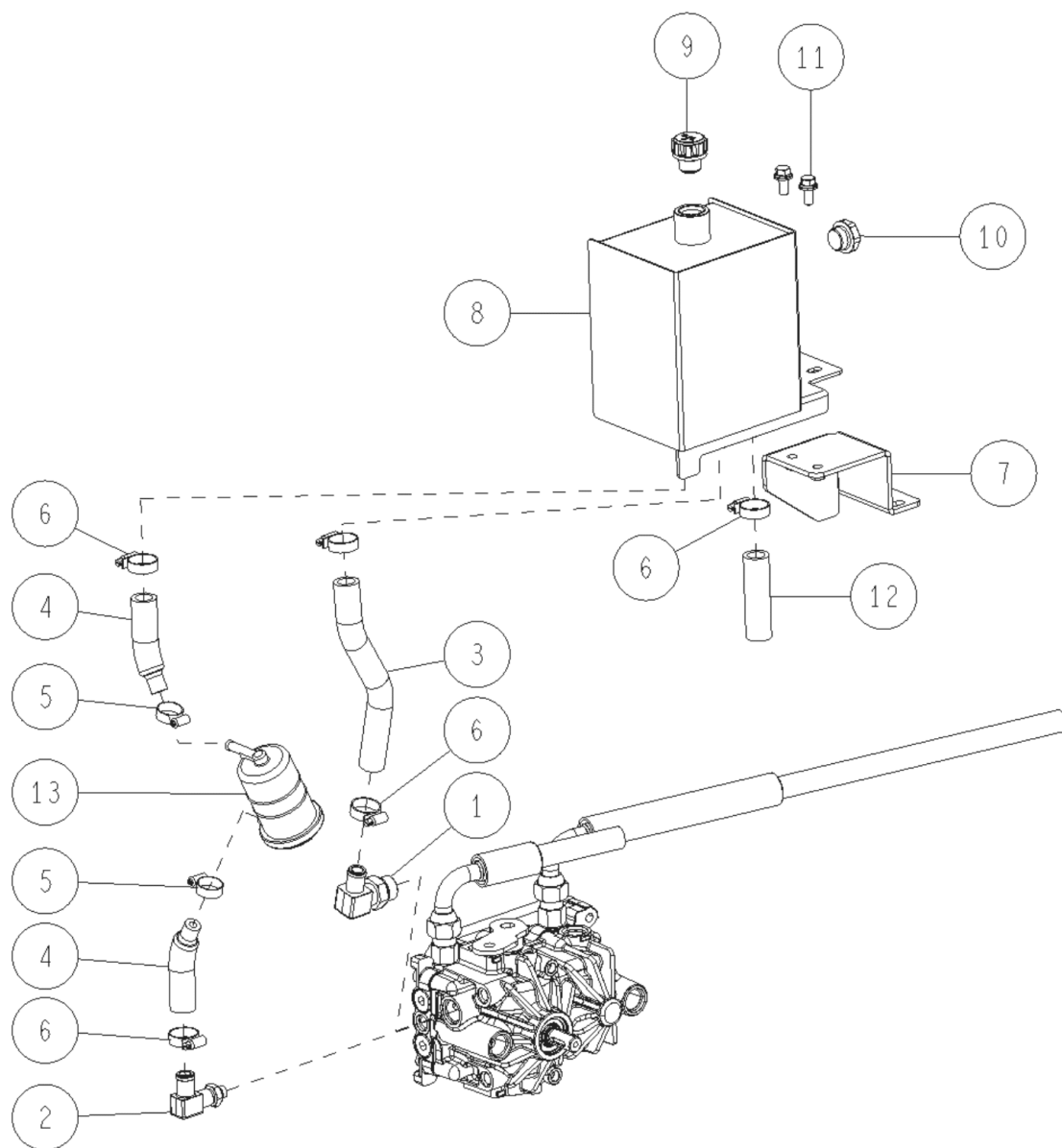
PL02356



08/2017

Number	Part Number	Name	Quantity
1	34776	HOSE CONNEC. 7/8-14	1,000
2	34777	HOSE CONNECT. G1/4	1,000
3	34785	HOSE	1,000
4	34786	HOSE	1,000
5	34788	COLLAR	1,000
6	27965	HOSE BAND 24	1,000
7	44130	TANK BRACKET	1,000
8	44132	COMPENSATION TANK	1,000
9	44133	TANK CAP	1,000
10	44134	CAP	1,000
11	34309	SCREW M8X20	1,000
12	34770	HOSE	1,000
13	44129	OIL FILTER	1,000

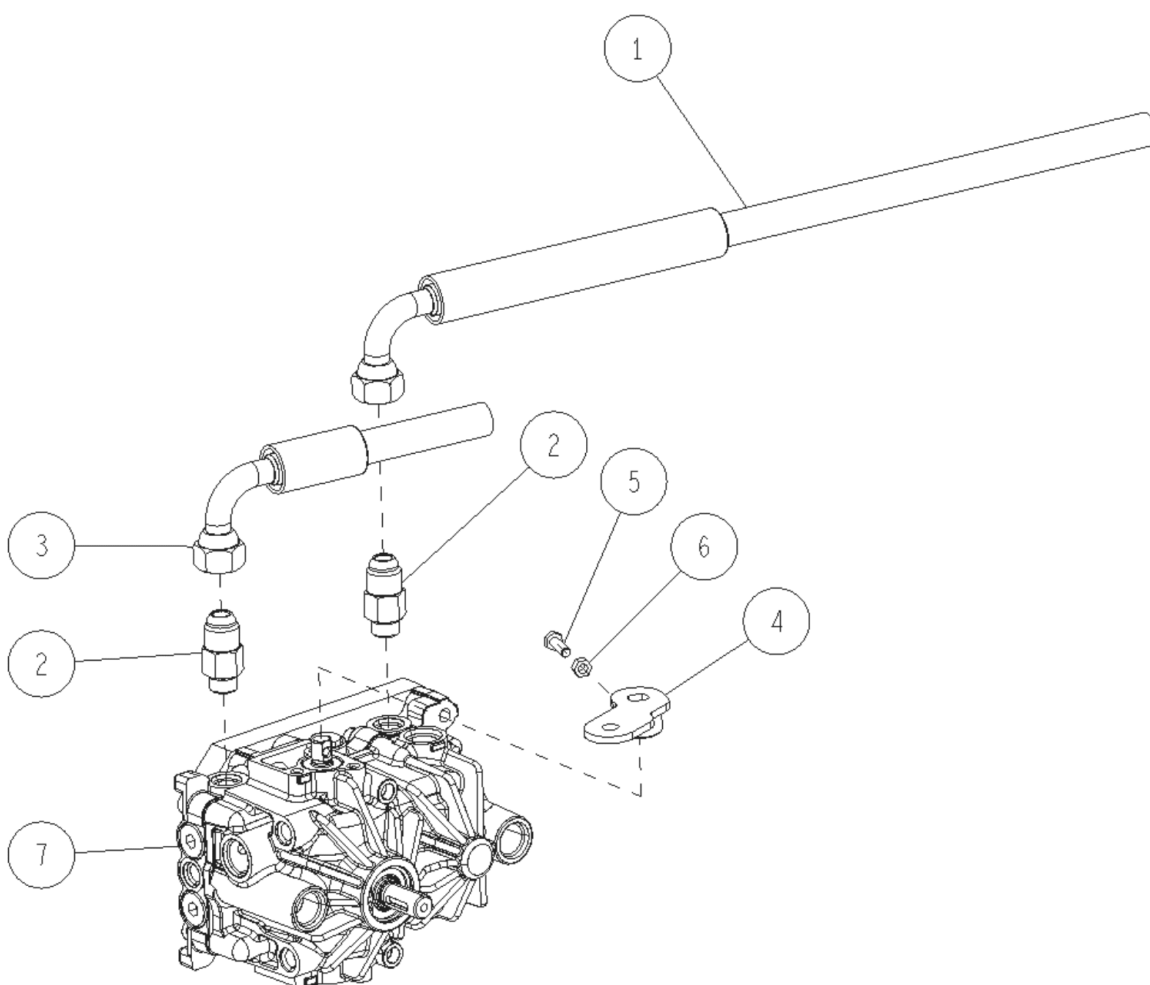
PL02357



08/2017

Number	Part Number	Name	Quantity
1	34768	HOSE 1590MM	1,000
2	34771	HOSE CONNECTION	1,000
3	34775	HOSE 1670MM	1,000
4	44135	CONTROL LEVER ASSY	1,000
5	-	-	1,000
7	34789	HST UNIT AV98X	1,000

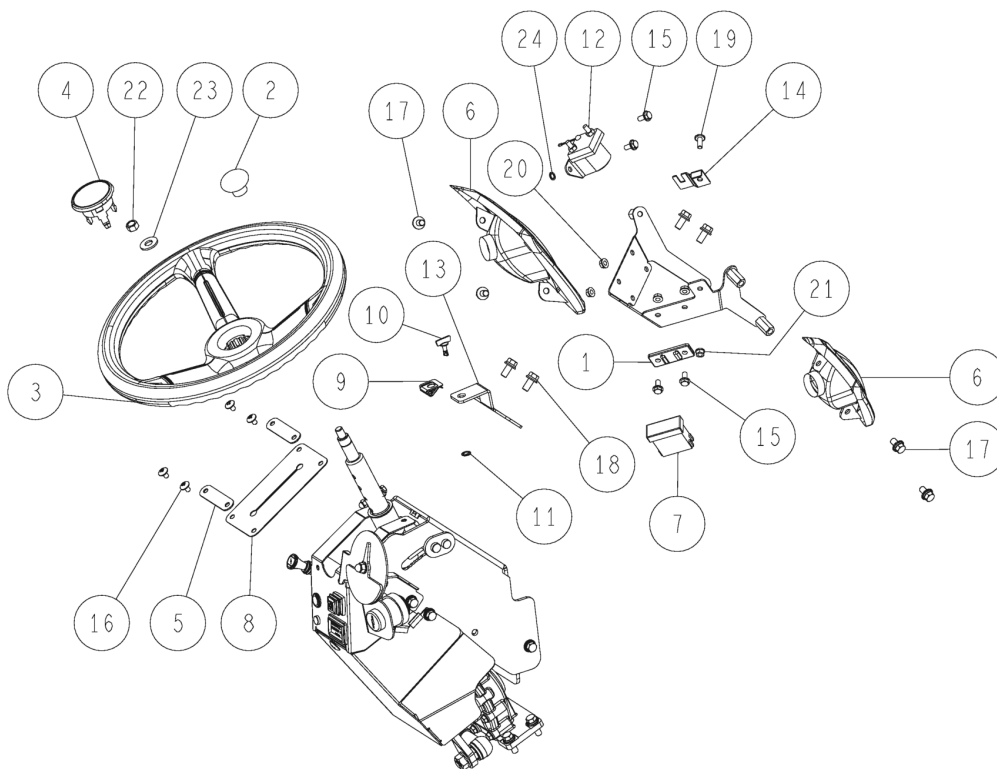
PL02358



08/2017

Number	Part Number	Name	Quantity
1	27992	FUSE BRACKET	1,000
2	27637	STEERING WHEEL	1,000
3	27430	STEERING WHEEL	1,000
4	34661	STEERING CAP	1,000
5	43996	STEAL PLATE	1,000
6	44281	FRONT LIGHT	1,000
7	44039	CAP	1,000
8	44049	PROTECTION	1,000
9	44083	CLIP DIA.6	1,000
10	-	-	1,000
12	27241	MAGNETIC SWITCH	1,000
13	44282	HOOD FIXING	1,000
14	44185	BRACKET	1,000
15	34302	SCREW M6X15	1,000
16	34303	SCREW M6X10	1,000
17	34308	SCREW M8X16	1,000
18	34309	SCREW M8X20	1,000
19	34312	SCREW M6X16	1,000
20	34313	NUT 6	1,000
21	34314	NUT 6	1,000
23	34323	WASHER 10	1,000
24	34328	TOOTHED WASHER 6	1,000
25	27501	NUT FLANGE M8	1,000

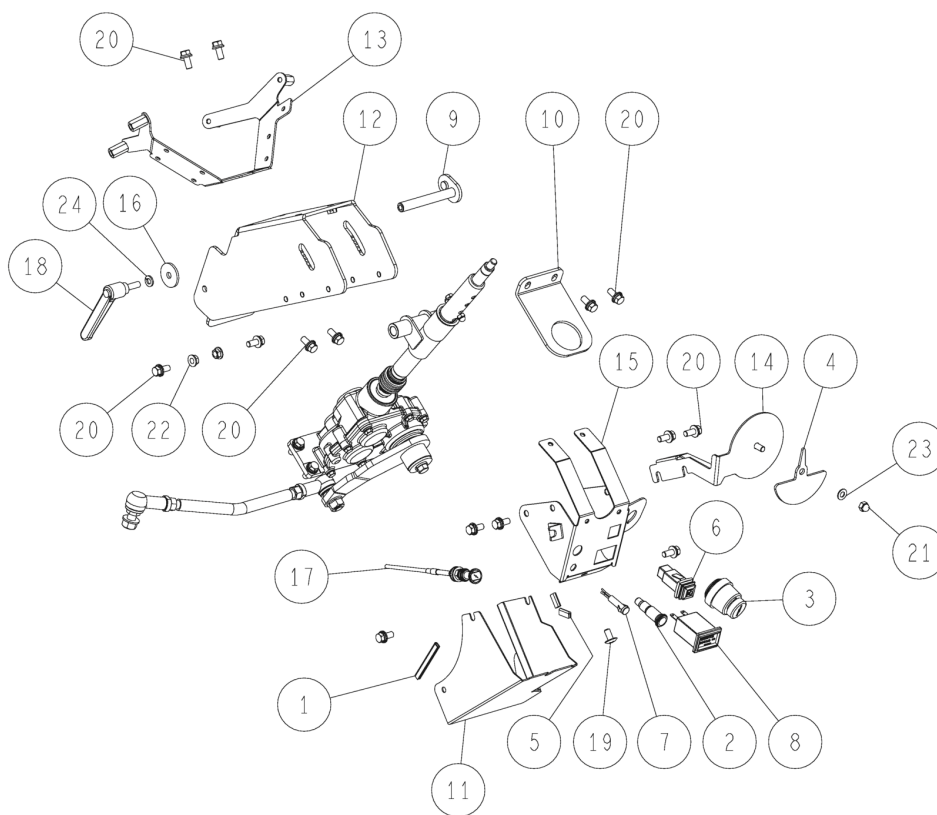
PL02578



03/2019

Number	Part Number	Name	Quantity
1	-	-	1,000
2	27991	INDICATOR	1,000
3	34103	KEY SWITCH+2 KEYS	1,000
4	34801	CLINOMETER INDIC.	1,000
6	34220	SWITCH	1,000
7	34221	ENGINE OIL INDICAT.	1,000
8	34245	HOUR COUNTER	1,000
9	44048	AXLE	1,000
10	44146	STEERG COLUMN GUIDE	1,000
11	44283	COVER	1,000
12	44284	BRACKET	1,000
13	44285	BRACKET	1,000
14	44286	BRACKET	1,000
15	44287	BRACKET	1,000
17	44205	STARTER CABLE	1,000
18	44207	LEVER	1,000
19	34308	SCREW M8X16	1,000
20	34309	SCREW M8X20	1,000
22	27501	NUT FLANGE M8	1,000
23	34319	WASHER 8X18X1,6	1,000
24	71343	SPRING WASHER A8	1,000

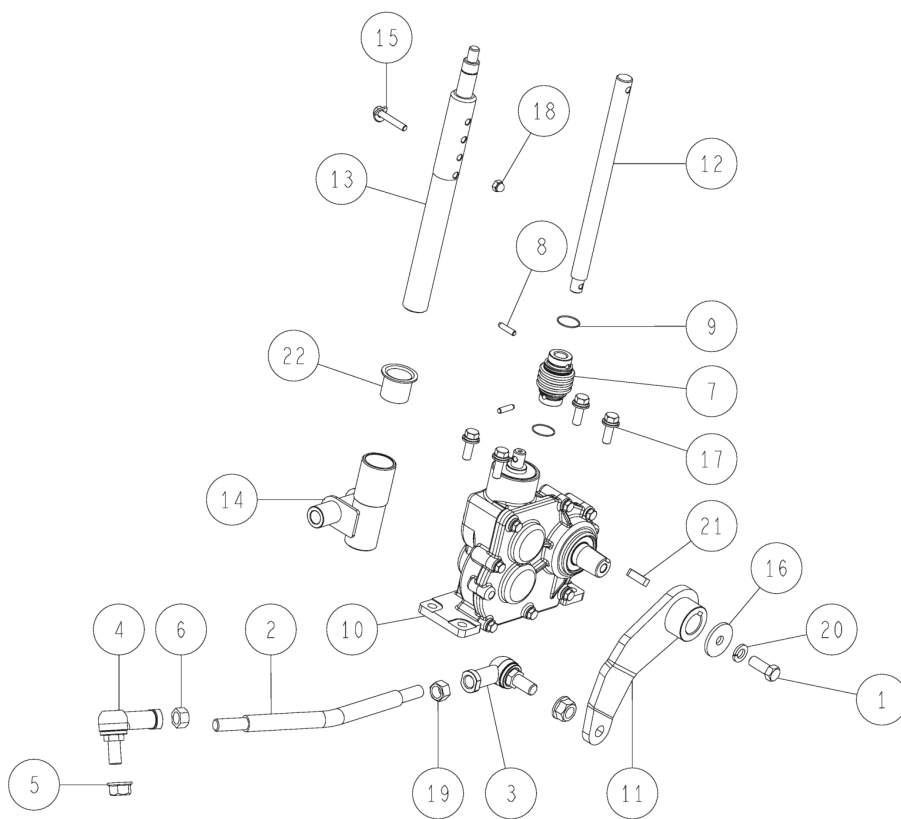
PL02579



03/2019

Number	Part Number	Name	Quantity
1	-	-	1,000
2	34820	STEERING ROD	1,000
3	34230	RIGH.STEERING ELBOW	1,000
4	34231	LEFT STEERING ELBOW	1,000
5	34232	NUT M12 P1.25	1,000
6	34247	NUT M12 LEFT	1,000
7	43981	COUPLING HOUSING	1,000
8	43982	PIN	1,000
9	43983	PIN	1,000
10	44138	STEERING BOX	1,000
11	44139	ARM STEERING BOX	1,000
12	44288	LOW.STEER.COL.SHAFT	1,000
13	44289	UP.STEER.COL.SHAFT	1,000
14	44181	GUIDE	1,000
15	44184	AXLE	1,000
16	34855	WASHER 10X36X3,2	1,000
17	27895	DEFLEKTOR SCREW	1,000
19	34316	NUT M12	1,000
20	71052	SPRING WASHER,DIN 1	1,000
21	34866	KEY	1,000
22	44221	RING 25-25-36F	1,000

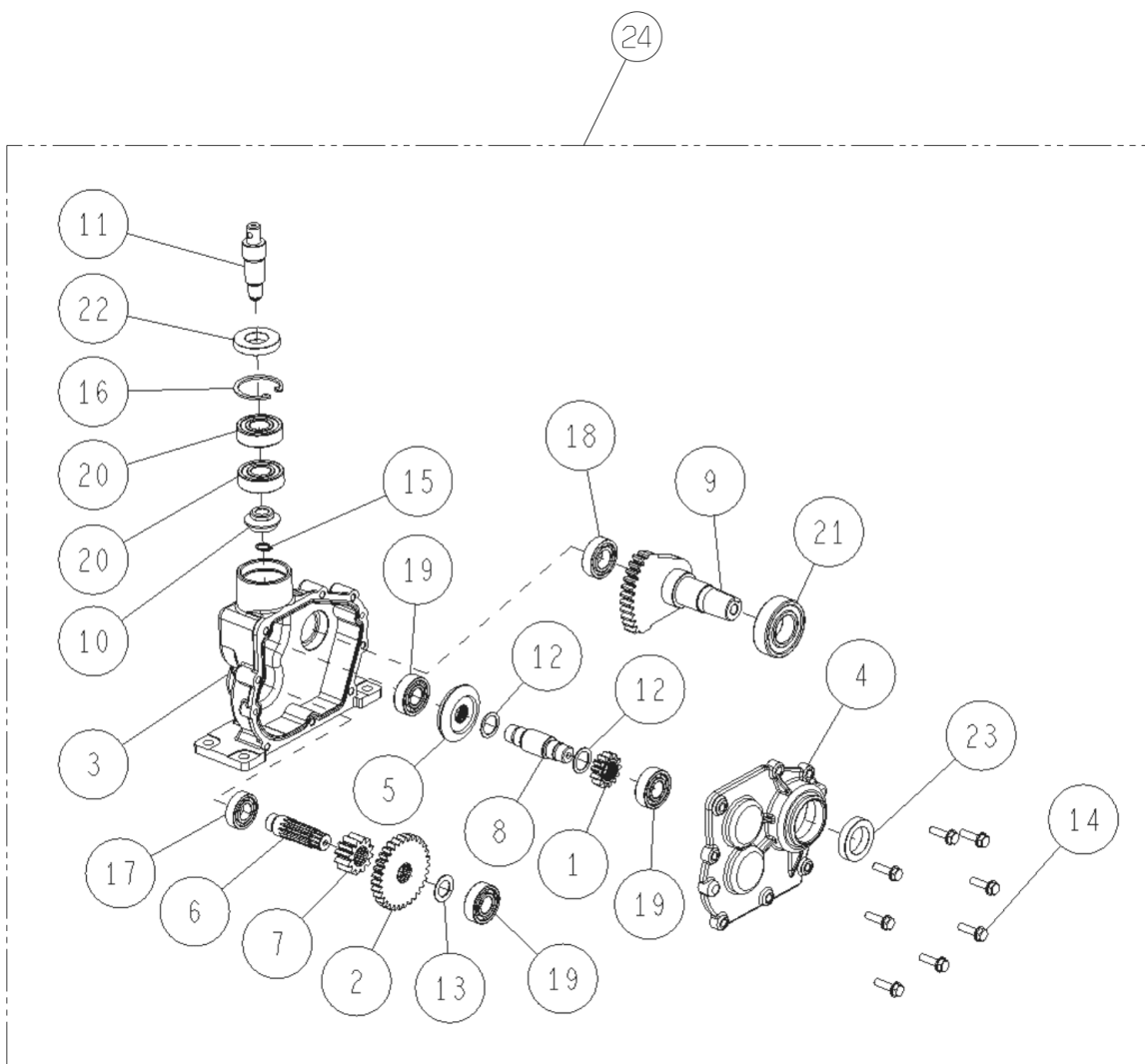
PL02580



03/2019

Number	Part Number	Name	Quantity
1	44210	GEAR 13 TEETH	1,000
2	43961	GEAR 31 TH.	1,000
3	43965	STEERING BOX	1,000
4	43966	STEERING BOX	1,000
5	43967	GEAR 34 TEETHS	1,000
6	43968	SHAFT	1,000
7	43969	GEAR 12 TEETHS	1,000
8	43970	SHAFT	1,000
9	43971	OUTPUT SHAFT	1,000
10	44041	GEAR 31 THEETS	1,000
11	44144	INPUT SHAFT	1,000
12	44213	WASHER 17X23X1	1,000
13	27813	WASHER 15X24X1	1,000
14	-	-	1,000
16	27374	SNAP RING 40	1,000
17	27656	BALL BEARING 6002	1,000
18	27657	BALL BEARING 6003	1,000
19	40465	BEARING 6202	1,000
20	6058	BEARING 62032RS	1,000
21	25475	SEALED BALL BEARING	1,000
24	44138	STEERING BOX	1,000

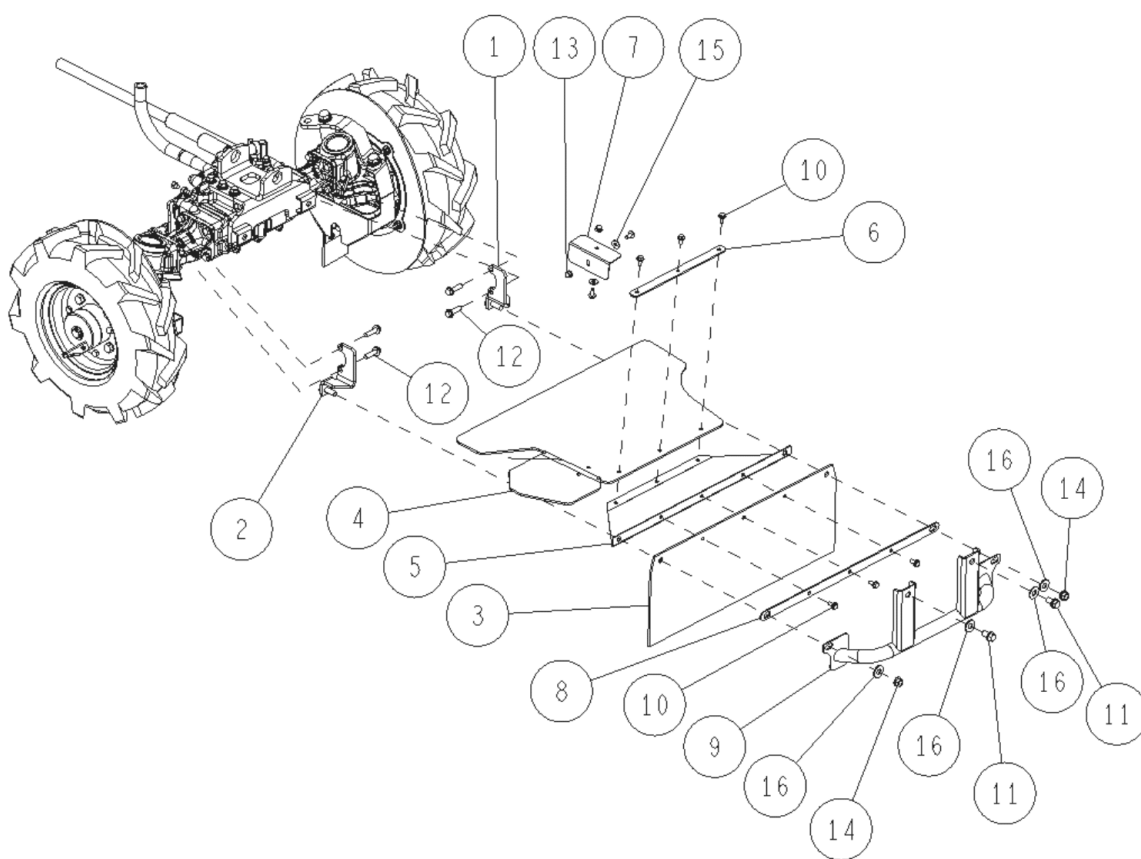
PL02362



08/2017

Number	Part Number	Name	Quantity
1	34817	BRACKET	1,000
2	34818	EXPORT	1,000
3	34832	RUBBER FLAPPER	1,000
4	34833	RUBBER FLAPPER	1,000
5	34834	RUB FLAP FIX	1,000
6	34208	UP.RUB.FLAPP.BRACKE	1,000
7	34851	RUB.FLAP.FIXING	1,000
8	44152	FLAPPER HOLDER	1,000
9	44153	PROTECTION FEET	1,000
10	34302	SCREW M6X15	1,000
11	-	-	1,000
15	34322	WASHER 6	1,000
16	34323	WASHER 10	1,000

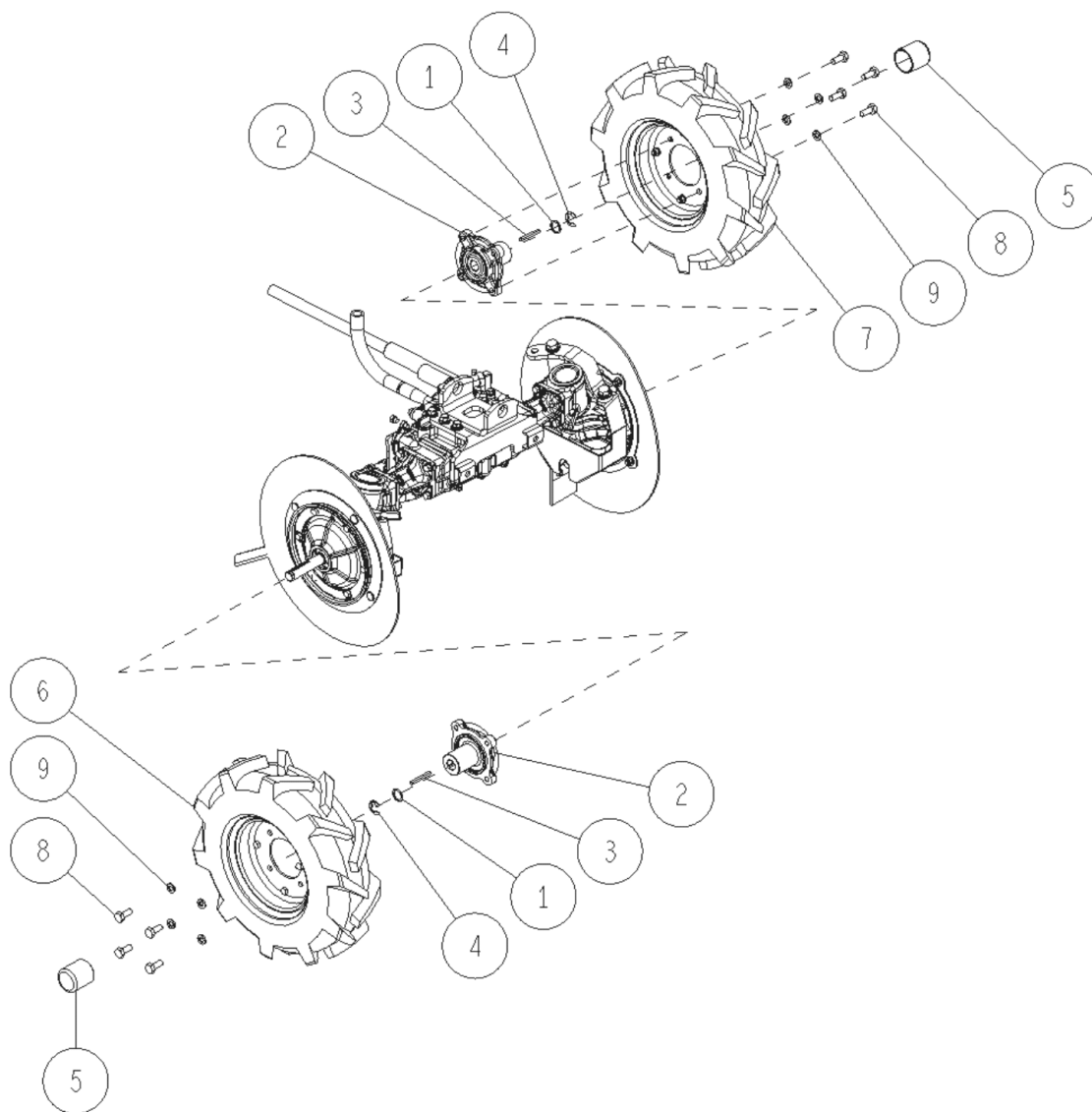
PL02363



08/2017

Number	Part Number	Name	Quantity
1	34763	WASHER 19X25X1	1,000
2	34808	WHEEL BOSS	1,000
3	34822	KEY 3/16X3/16X50	1,000
4	43962	FRONT WHEEL RING	1,000
5	34836	WHEEL CAP 50MM	1,000
6	34599	RIGHT FRONT WHEEL7"	1,000
7	34600	LEFT FRONT WHEEL 7"	1,000
8	-	-	1,000
9	71052	SPRING WASHER,DIN 1	1,000

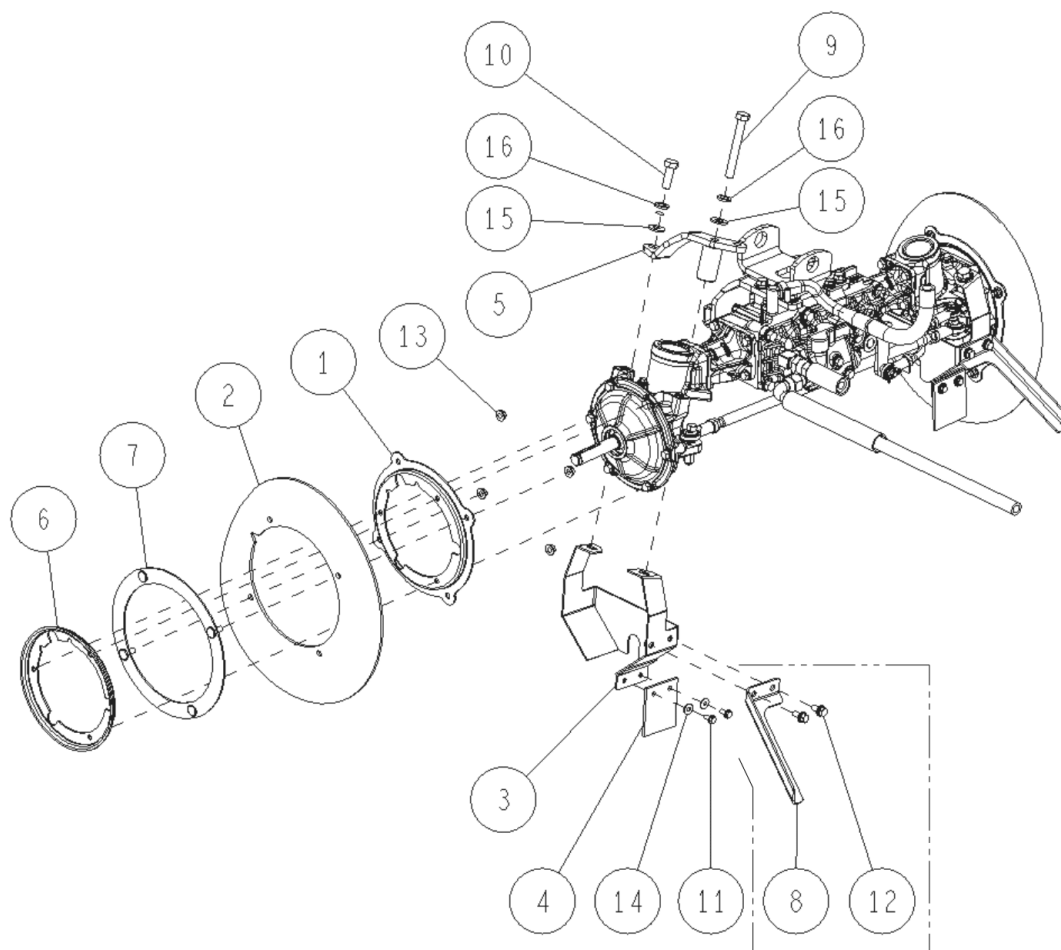
PL02364



08/2017

Number	Part Number	Name	Quantity
1	34809	FLAP.FIX.CROWN	1,000
2	34811	RUBBER FLAPPER	1,000
3	34814	PROTECTION	1,000
4	34815	RUBBER FLAPPER	1,000
5	34816	ARM	1,000
6	43963	PROTECTION RING	1,000
7	43964	FIXATION RING	1,000
8	44154	PROTECTION PLATE L.	1,000
9	34856	SCREW M12X95	1,000
10	-	-	1,000
11	34302	SCREW M6X15	1,000
12	34309	SCREW M8X20	1,000
13	27501	NUT FLANGE M8	1,000
14	34322	WASHER 6	1,000
15	34325	WASHER 12	1,000
16	27353	SPRING WASHER A12	1,000

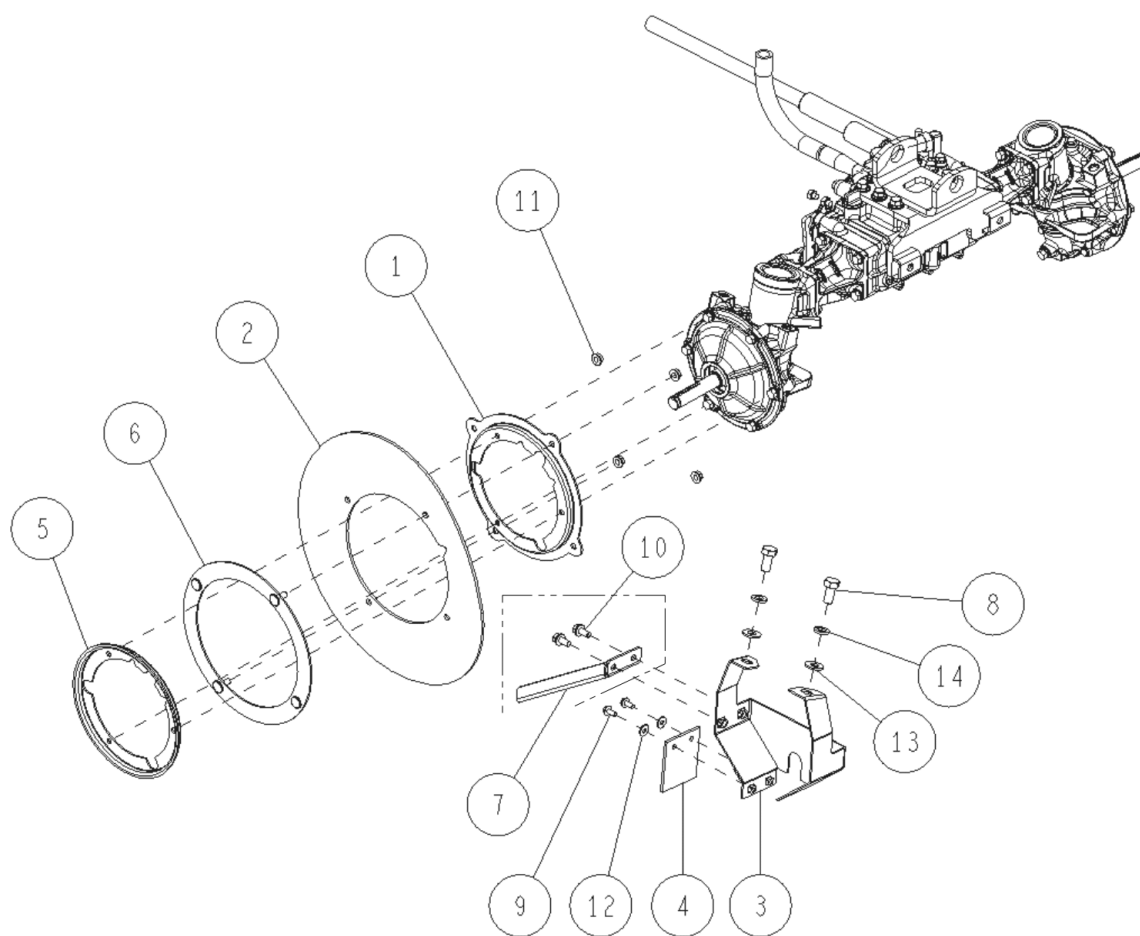
PL02366



11/2018

Number	Part Number	Name	Quantity
1	34809	FLAP.FIX.CROWN	1,000
2	34811	RUBBER FLAPPER	1,000
3	34813	PROTECTION	1,000
4	34815	RUBBER FLAPPER	1,000
5	43963	PROTECTION RING	1,000
6	43964	FIXATION RING	1,000
7	44155	PROTECTION PLATE R.	1,000
8	-	-	1,000
9	34302	SCREW M6X15	1,000
10	34309	SCREW M8X20	1,000
11	27501	NUT FLANGE M8	1,000
12	34322	WASHER 6	1,000
13	34325	WASHER 12	1,000
14	27353	SPRING WASHER A12	1,000

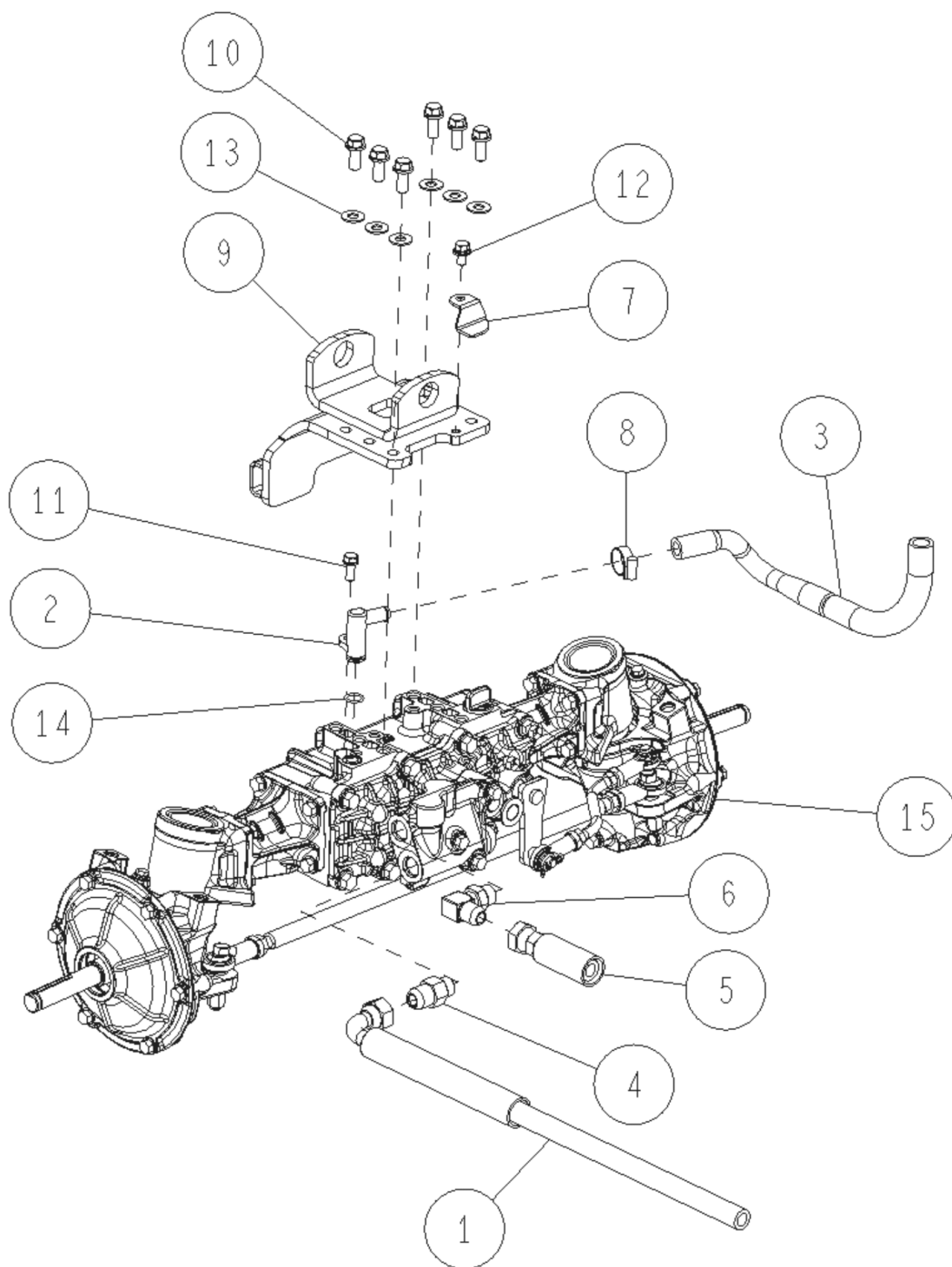
PL02367



11/2018

Number	Part Number	Name	Quantity
1	34768	HOSE 1590MM	1,000
2	34769	HYDR.CORNER COUPLIN	1,000
3	34770	HOSE	1,000
4	34772	HOSE CONNECTION	1,000
5	34775	HOSE 1670MM	1,000
6	34778	ADJUST HYD. COUP.	1,000
7	34779	HOSE FIXING	1,000
8	27965	HOSE BAND 24	1,000
9	44151	BRACKET	1,000
10	-	-	1,000
13	34327	WASHER 10	1,000
14	34858	O-RING 14	1,000
15	34774	FRONT HST UNIT	1,000

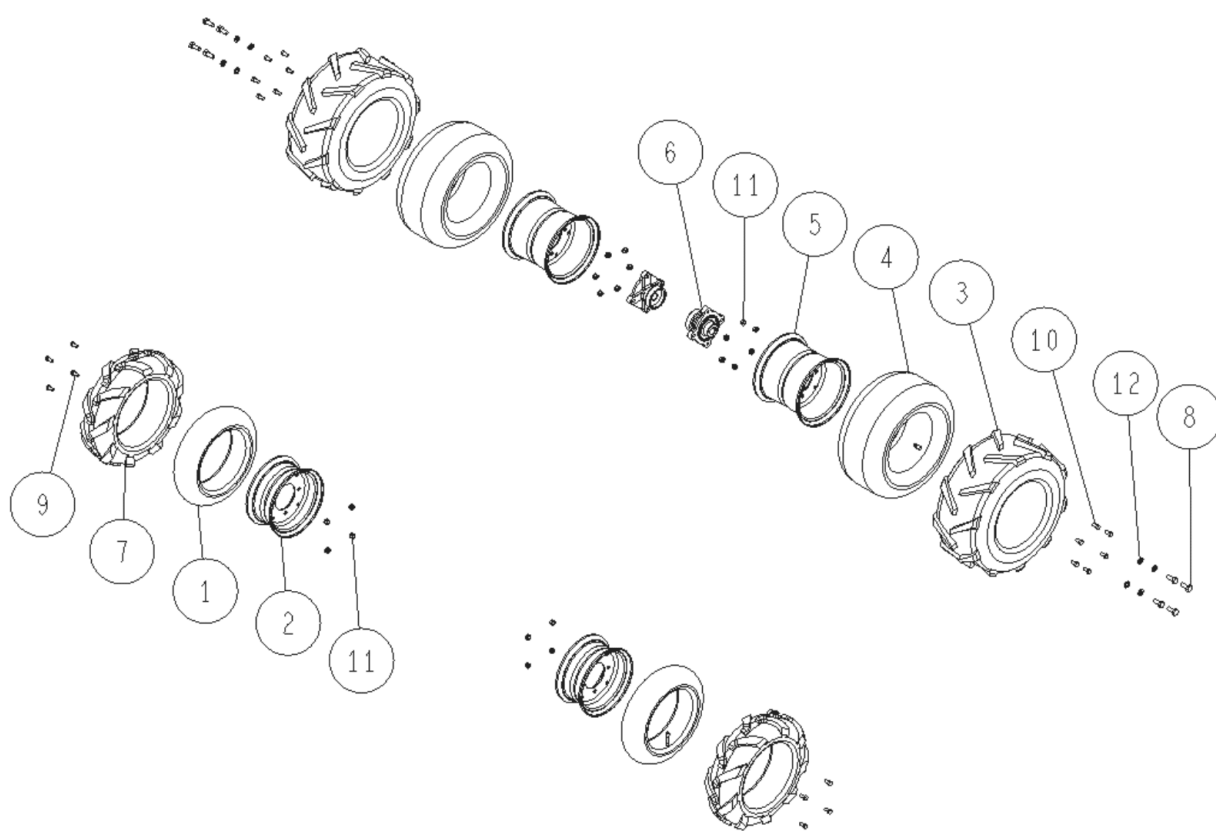
PL02368



08/2017

Number	Part Number	Name	Quantity
1	27387	INNER O AIR TUBE FR	1,000
2	27393	FRONT RIM	1,000
3	34555	REAR TYRE AV98	1,000
4	28353	INNER TUBE REAR	1,000
5	34556	REAR RIM AV98	1,000
6	27711	REAR WHEEL BOSS	1,000
7	34601	FRONT TYRE 7" AV98	1,000
8	-	-	1,000
11	34315	NUT 8	1,000
12	71052	SPRING WASHER,DIN 1	1,000

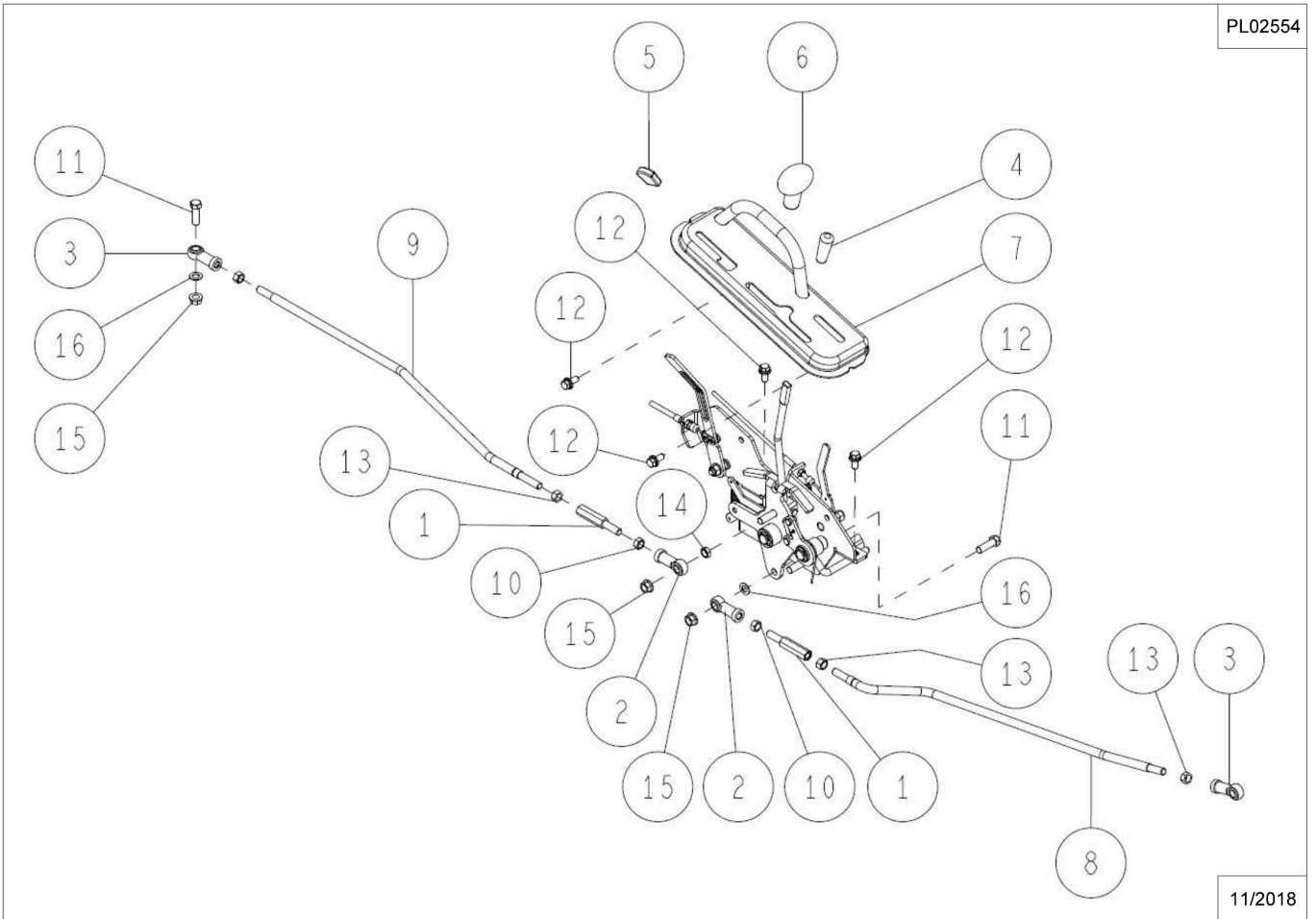
PL02369



08/2017

Number	Part Number	Name	Quantity
1	27329	TURN BACKLE	1,000
2	27206	ROD END HS 10 L	1,000
3	27551	ROD END PHS10EC	1,000
4	27770	LEVER GRIP	1,000
5	27922	LEVER GRIP	1,000
6	34106	GRIP	1,000
7	44113	LEVER GUIDE	1,000
8	44230	ROD	1,000
9	44176	ROD ADJUSTER FRONT	1,000
10	34294	NUT M10 LEFT	1,000
11	34307	SCREW M10X30	1,000
12	-	-	1,000
13	27231	COUNTER NUT M10X150	1,000
14	34317	NUT 10	1,000
15	9017	NUT HM10	1,000
16	27322	WASHER 10	1,000

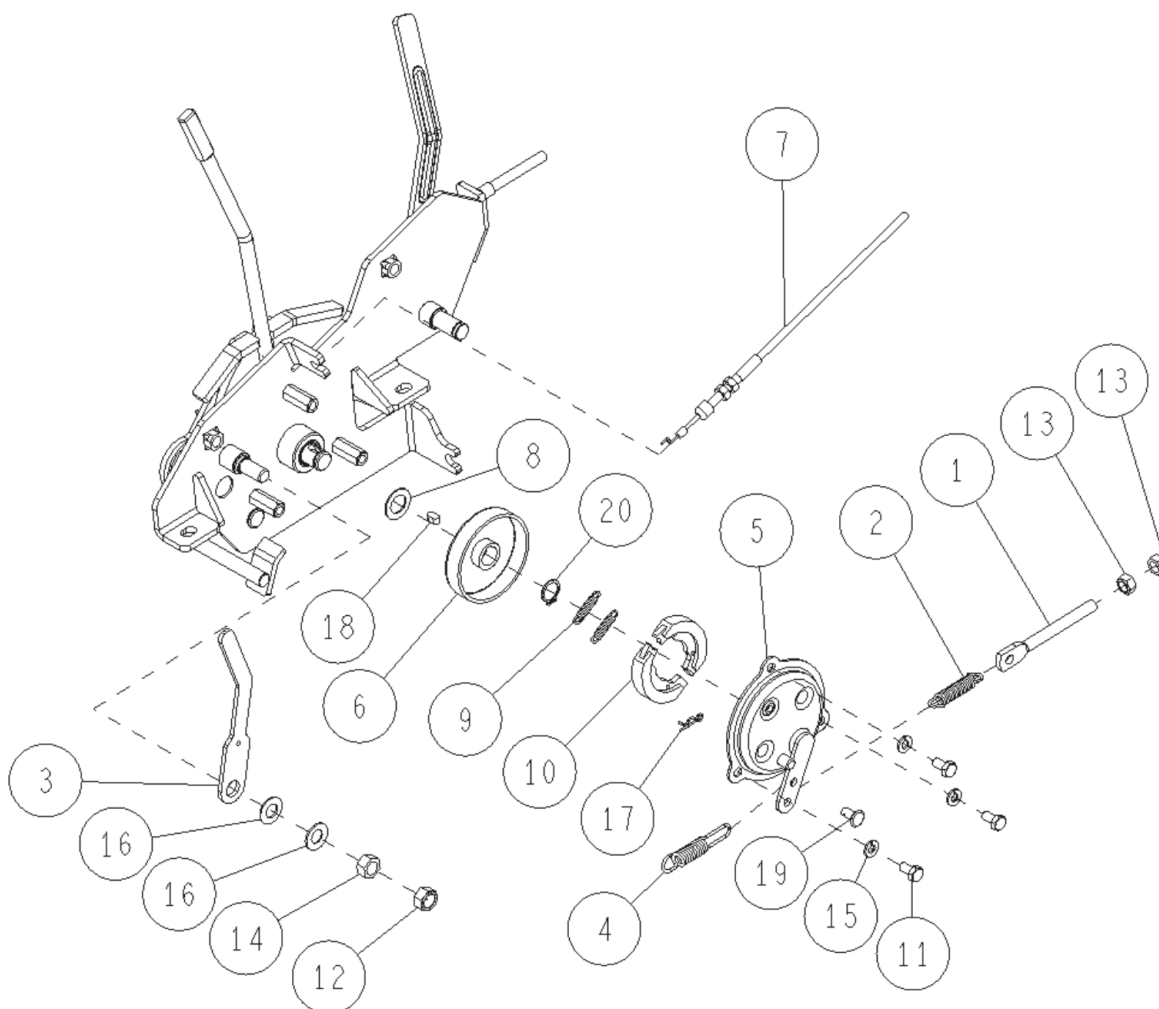
PL02554



11/2018

Number	Part Number	Name	Quantity
1	27756	CHANGE BRAKE ADJUST	1,000
2	34111	SPRING	1,000
3	44000	THROTTLE LEVER	1,000
4	44002	BRAKE SPRING	1,000
5	44003	BRAKE COVER	1,000
6	44004	BRAKE DRUM	1,000
7	44038	THROTTLE WIRE	1,000
8	-	-	1,000
9	44216	SPRING	1,000
10	44217	BRAKE SHOE SET	1,000
11	27457	HEXA.SCREW M6X12 8T	1,000
15	71049	SPRING WASHER,DIN 1	1,000
16	34330	WASHER H10	1,000
17	27751	SNAP PIN 6	1,000
18	35043	KEY A5X5X10	1,000
19	44218	AXLE 6X12	1,000
20	71036	DIN 471 14X1 EXT. C	1,000

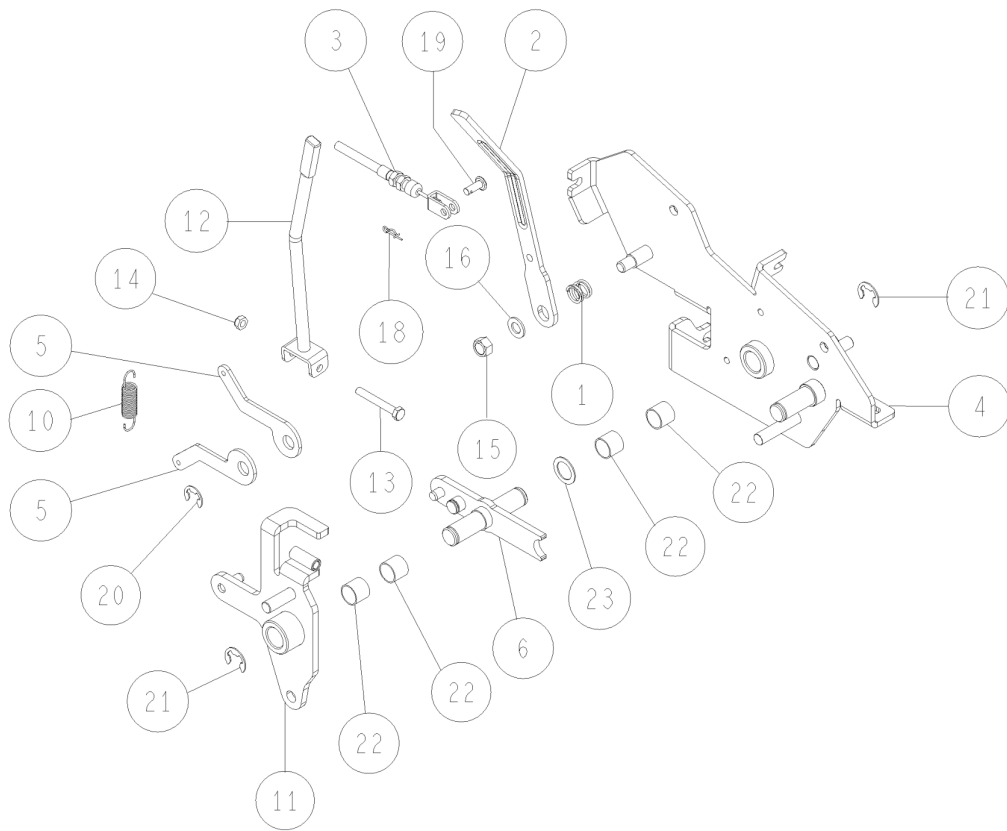
PL02371



08/2017

Number	Part Number	Name	Quantity
1	27304	CTRL.SHAFT SPRING	1,000
2	34137	LEVER	1,000
3	43980	DIFFER.LOCK CABLE	1,000
4	43997	LEVER BRACKET	1,000
5	43998	ARM	1,000
6	44290	LEVER SHAFT	1,000
7	34243	SPRING	1,000
8	44001	SPRING	1,000
9	44051	REVERSE ARM	1,000
10	44099	SPRING	1,000
11	44291	LEVER GUIDE	1,000
12	44172	LEVER	1,000
13	-	-	1,000
16	27322	WASHER 10	1,000
17	34322	WASHER 6	1,000
18	27751	SNAP PIN 6	1,000
19	27754	FLAT PIN 6X16	1,000
20	27428	E TYPE RING 10	1,000
21	27313	SNAP RING E TYPE 12	1,000
22	34343	BUSH 16-15 DU	1,000
23	27364	WASHER 16X24X1	1,000

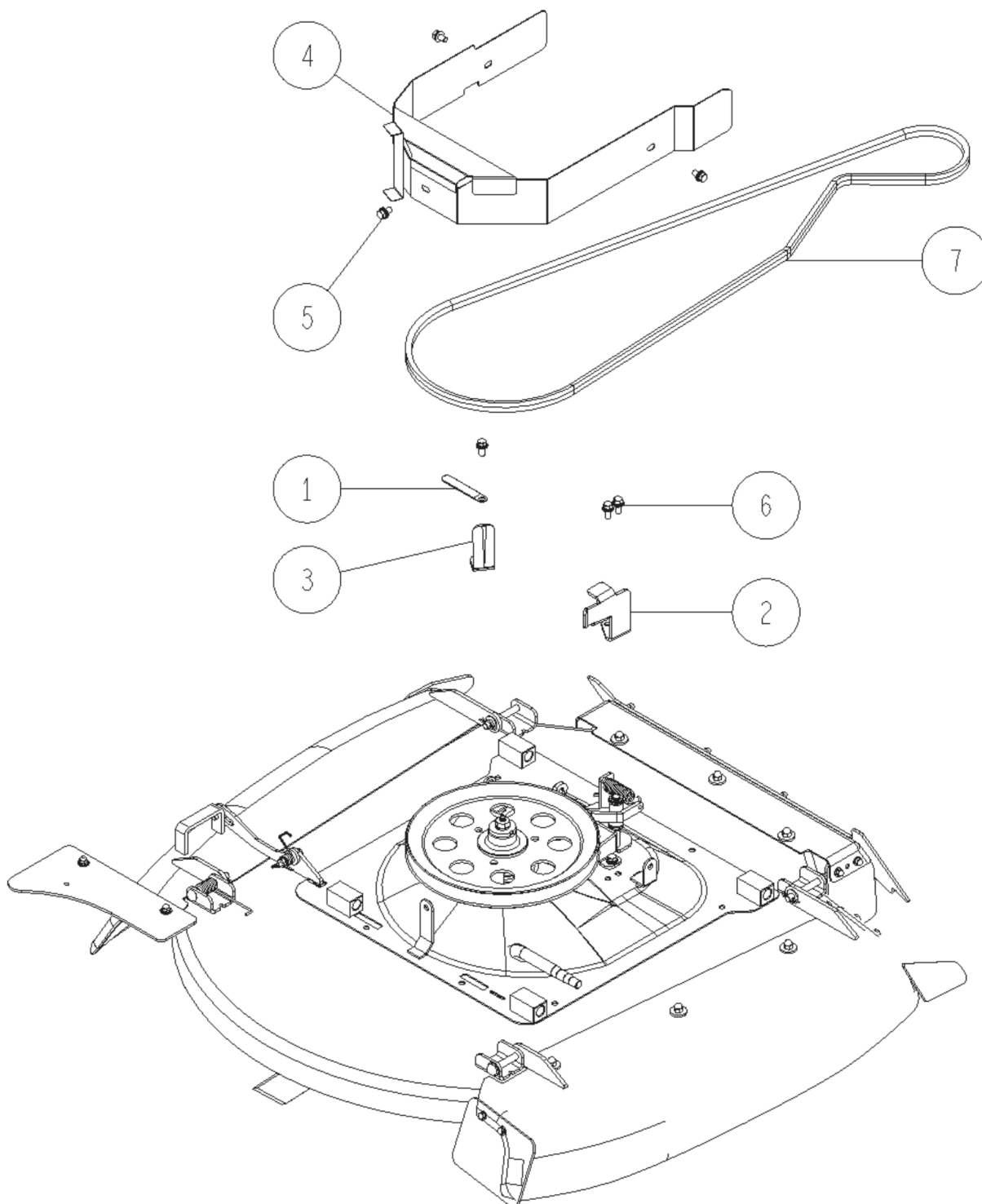
PL02581



03/2019

Number	Part Number	Name	Quantity
1	27314	HARNESS CLIP	1,000
2	34179	LEFT BELT GUIDE	1,000
3	34181	BELT GUIDE	1,000
4	44160	BLADE BELT COVER	1,000
5	34308	SCREW M8X16	1,000
6	34309	SCREW M8X20	1,000
7	44222	BELT SB80	1,000

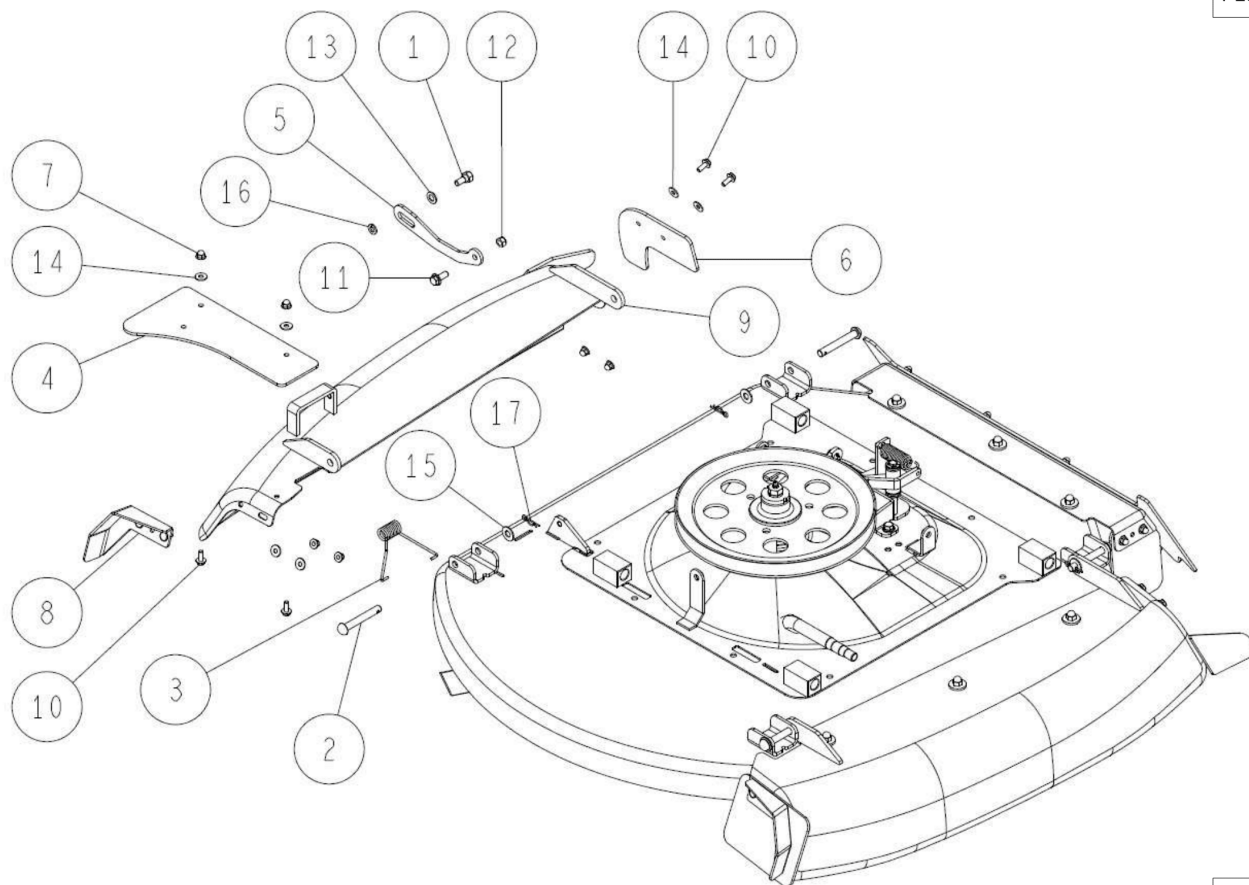
PL02373



08/2017

Number	Part Number	Name	Quantity
1	27417	DEFLECTOR SCREW	1,000
2	43979	DEFLECTOR AXLE	1,000
3	34229	SPRING	1,000
4	34587	RUBBER FLAPPER	1,000
5	34277	R.COVER UP.DOWN ARM	1,000
6	34852	RIGHT REAR COVER	1,000
7	27370	NUT FLANGE M6	1,000
8	44225	FLAPPER CORNER RIGH	1,000
9	44199	DEFLECTOR RIGHT	1,000
10	27893	SCREW HM6X20+WASHER	1,000
11	-	-	1,000
13	27322	WASHER 10	1,000
14	34322	WASHER 6	1,000
15	34327	WASHER 10	1,000
16	71343	SPRING WASHER A8	1,000
17	34333	PIN	1,000

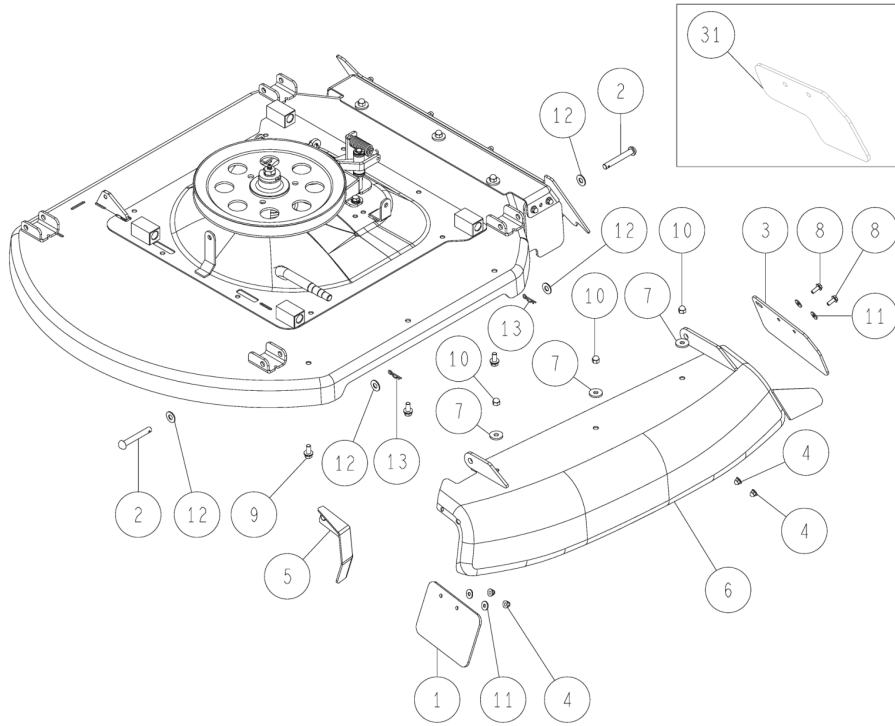
PL02374



11/2018

Number	Part Number	Name	Quantity
1	43978	FRONT UPPER GUARD	1,000
2	43979	DEFLECTOR AXLE	1,000
3	34698	RUBBER FLAPPER	1,000
4	-	-	1,000
5	44226	FLAPPER CORNER LEFT	1,000
6	44200	DEFLECTOR LEFT	1,000
7	44215	WASHER 8X25X3.2	1,000
8	27893	SCREW HM6X20+WASHER	1,000
9	34309	SCREW M8X20	1,000
11	34322	WASHER 6	1,000
12	34327	WASHER 10	1,000
13	34333	PIN	1,000
31	44292	RUBBER FLAPPER	1,000

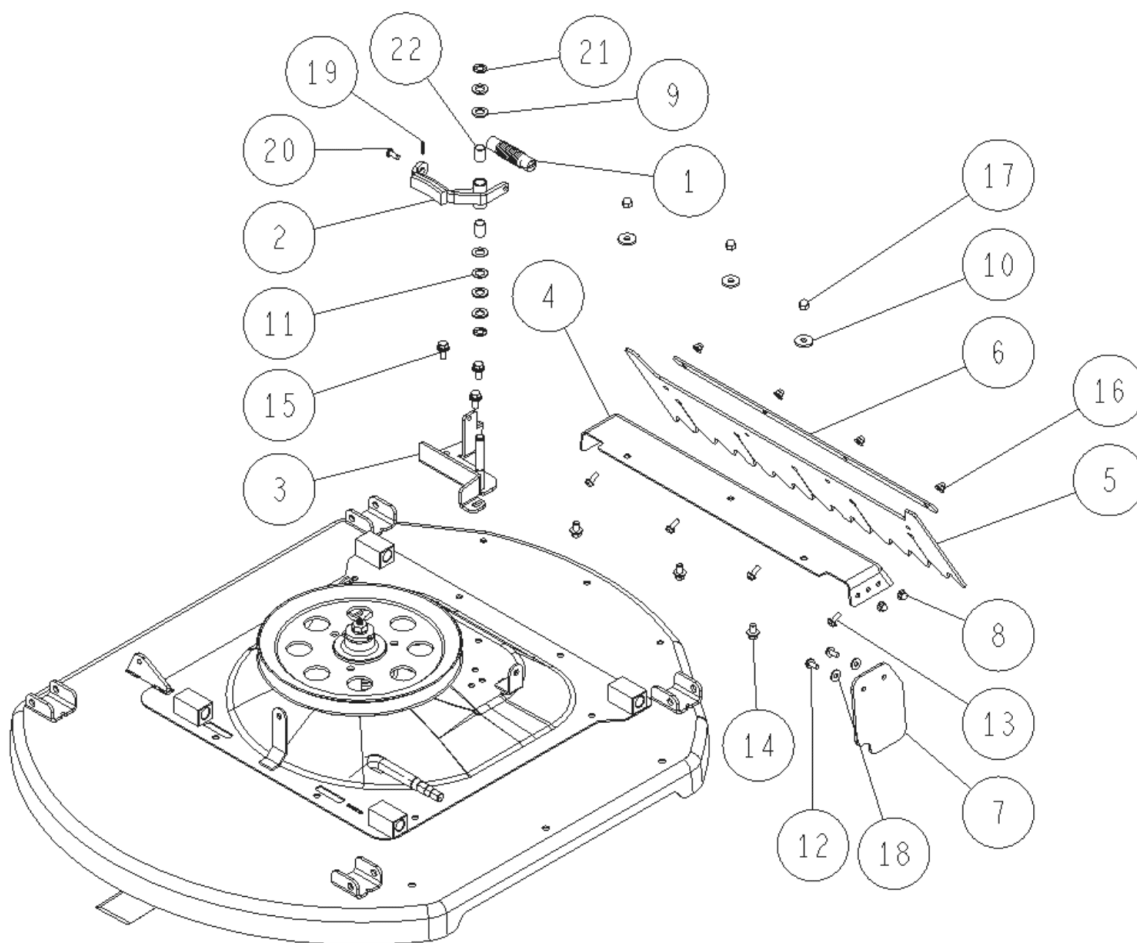
PL02582



03/2019

Number	Part Number	Name	Quantity
1	27222	TENS.SPRING	1,000
2	34187	BLADE BRAKE	1,000
3	34848	BRACKET	1,000
4	34203	-> 44069	1,000
5	34204	RUBBER FLAPPER	1,000
6	34205	FRONTGUARD	1,000
7	44024	FLAPPER REAR LEFT	1,000
8	-	-	1,000
9	27415	WASHER 13X21X2,3	1,000
11	27894	WASHER 13X22X1	1,000
12	34302	SCREW M6X15	1,000
13	27893	SCREW HM6X20+WASHER	1,000
14	34308	SCREW M8X16	1,000
15	34309	SCREW M8X20	1,000
18	34322	WASHER 6	1,000
19	27337	SPLINT PIN 2X15	1,000
20	27754	FLAT PIN 6X16	1,000
21	27428	E TYPE RING 10	1,000
22	27520	BUSH MB 122 ODV	1,000

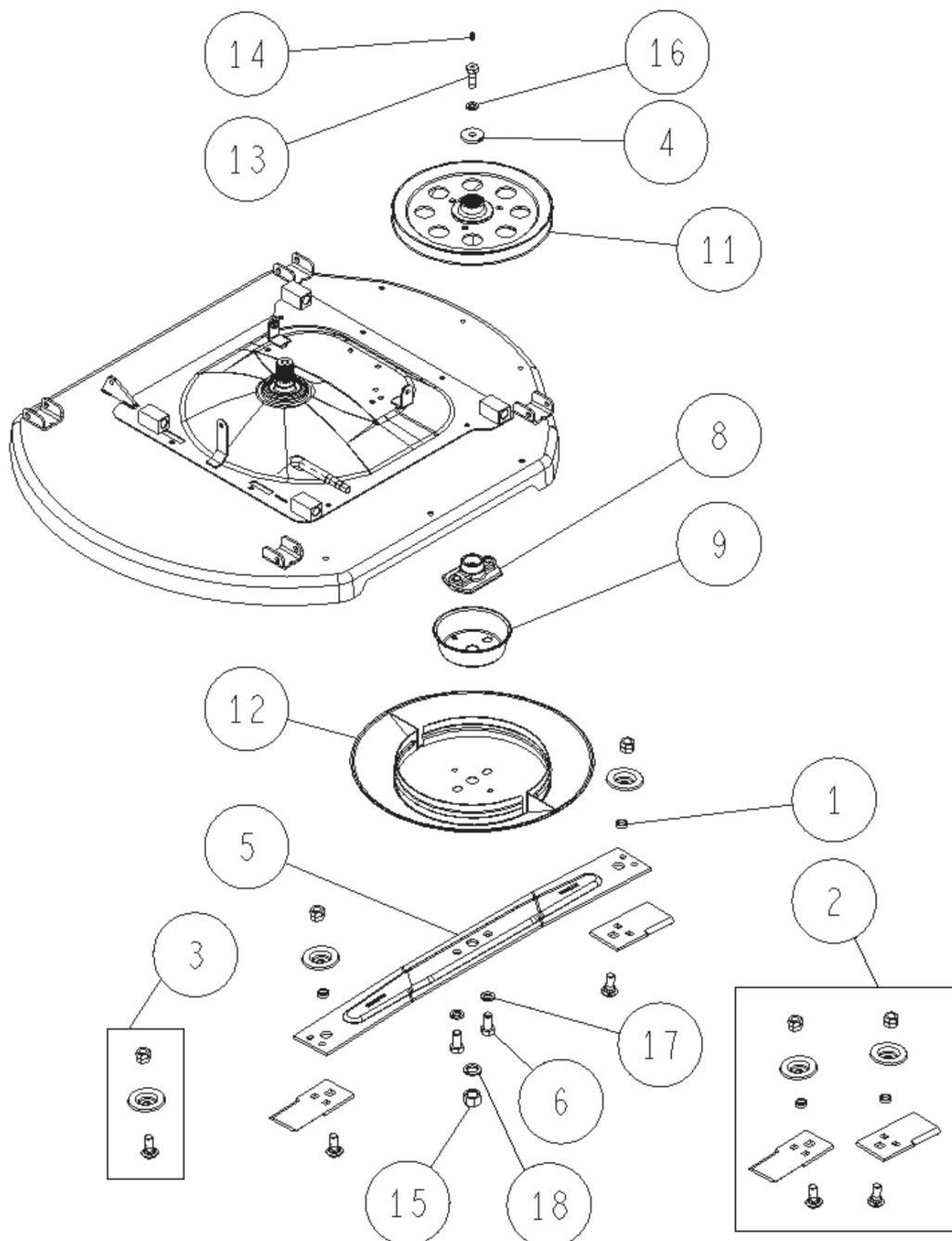
PL02376



08/2017

Number	Part Number	Name	Quantity
1	27266	KNIFE COLLAR	1,000
2	MC85	SWING TIP KIT	1,000
3	27543	FIXING KIT MC85	1,000
4	34109	WASHER 12X40X6	1,000
5	34190	BLADE BODY AT.98	1,000
6	34192	SCREW	1,000
7	-	-	1,000
8	34193	BLADE COUPLING	1,000
9	34194	PROTECTION	1,000
11	44023	BLADE PULLEY	1,000
12	44026	PROTECTION	1,000
13	44074	SCREW	1,000
14	27246	GREASE NIPPEL	1,000
15	34292	STOP NUT M20	1,000
16	27353	SPRING WASHER A12	1,000
17	27358	WASHER	1,000
18	27408	SPRING WASHER 20	1,000

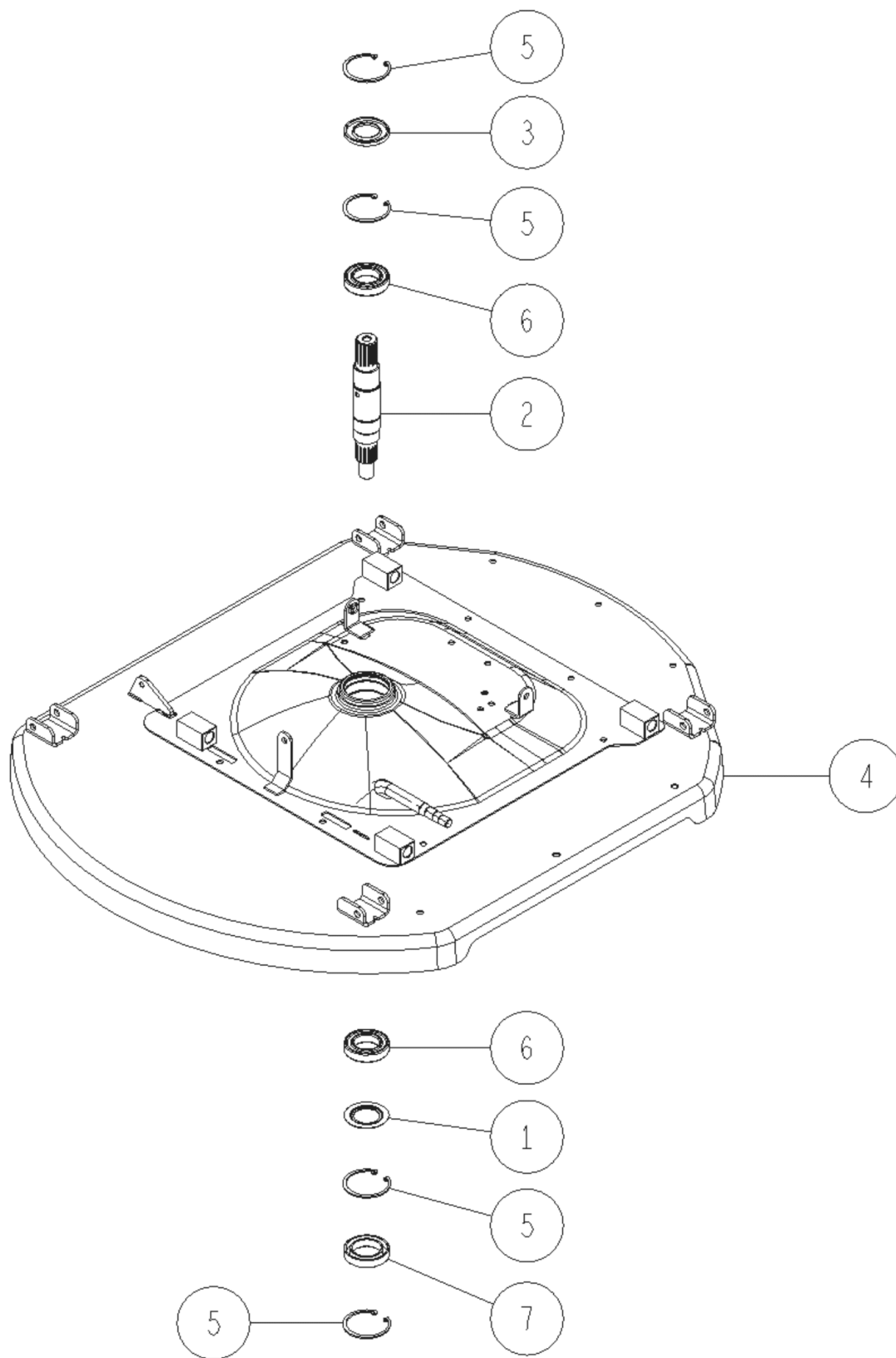
PL02377



08/2017

Number	Part Number	Name	Quantity
1	27565	DUST COVER	1,000
2	44073	AXLE	1,000
3	27254	OIL SEAL UE35.62.10	1,000
4	44159	CUT.DEC.NAKED AK98X	1,000
5	44220	CLIPS INT.62	1,000
6	24832	BEARING 6007-2RS1	1,000
7	-	-	1,000

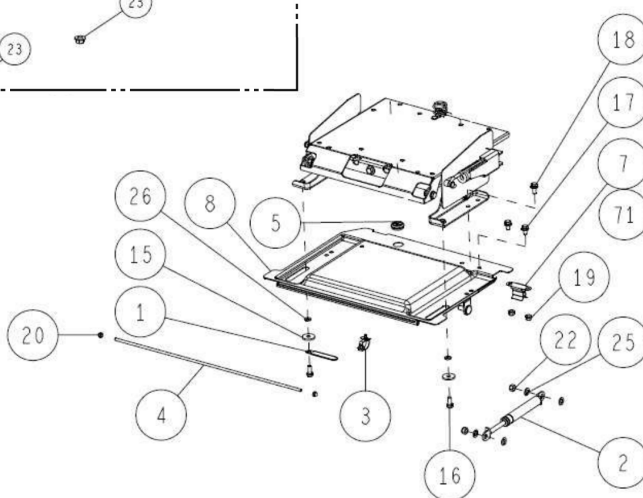
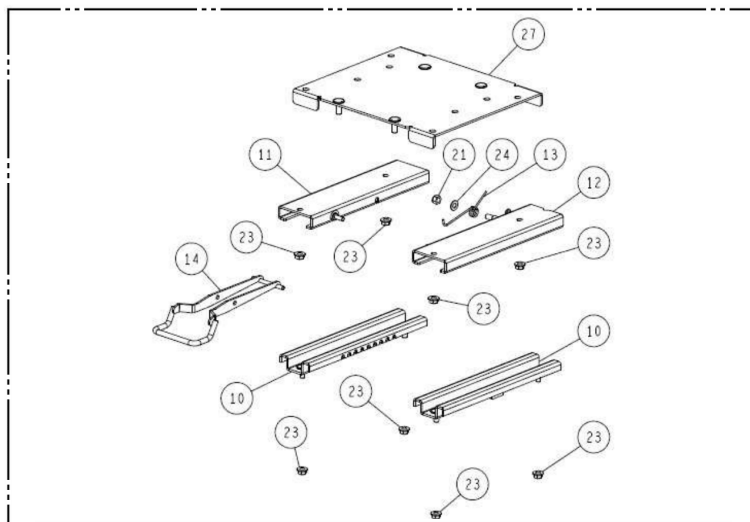
PL02378



08/2017

Number	Part Number	Name	Quantity
1	27314	HARNESS CLIP	1,000
2	27695	GAS SPRING KMF50-40	1,000
3	43960	CLIP CT 339	1,000
4	34160	SEAT BRACKET AXLE	1,000
5	34246	PROTECTION D.24	1,000
6	44033	CLIP SEAT COVER	1,000
8	44054	SEAT BRACKET	1,000
10	44233	SEAT GUIDE	1,000
11	44234	SEAT GUIDE	1,000
12	44235	SEAT GUIDE	1,000
13	44236	SPRING	1,000
14	44237	SEAT GUIDE LEVER	1,000
15	-	-	1,000
17	34308	SCREW M8X16	1,000
18	34309	SCREW M8X20	1,000
19	34315	NUT 8	1,000
23	27501	NUT FLANGE M8	1,000
24	34319	WASHER 8X18X1,6	1,000
25	27322	WASHER 10	1,000
26	71343	SPRING WASHER A8	1,000
27	44240	BRACKET	1,000
71	44232	CLIP	1,000

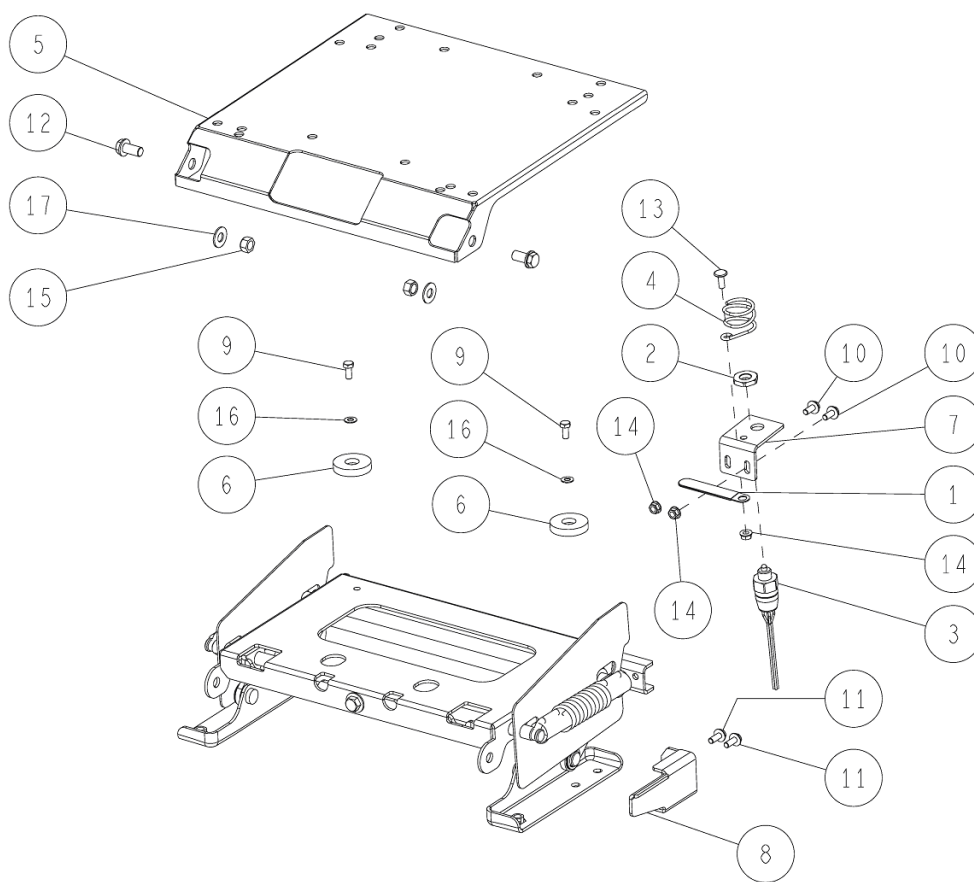
PL02379



11/2018

Number	Part Number	Name	Quantity
1	27314	HARNES CLIP	1,000
2	27856	SWITCH LOCK NUT	1,000
3	27855	SAFETY SWITCH	1,000
4	27918	SEAT SWITCH SPRING	1,000
5	44115	SEAT BRACKET	1,000
6	44352	WASHER	1,000
7	44353	SEAT SWITCH BRACKET	1,000
8	44238	BRACKET	1,000
9	-	-	1,000
10	34302	SCREW M6X15	1,000
11	27893	SCREW HM6X20+WASHER	1,000
13	34312	SCREW M6X16	1,000
14	34313	NUT 6	1,000
16	34318	WASHER 6	1,000
17	34327	WASHER 10	1,000

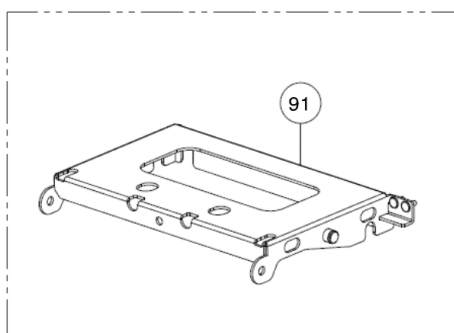
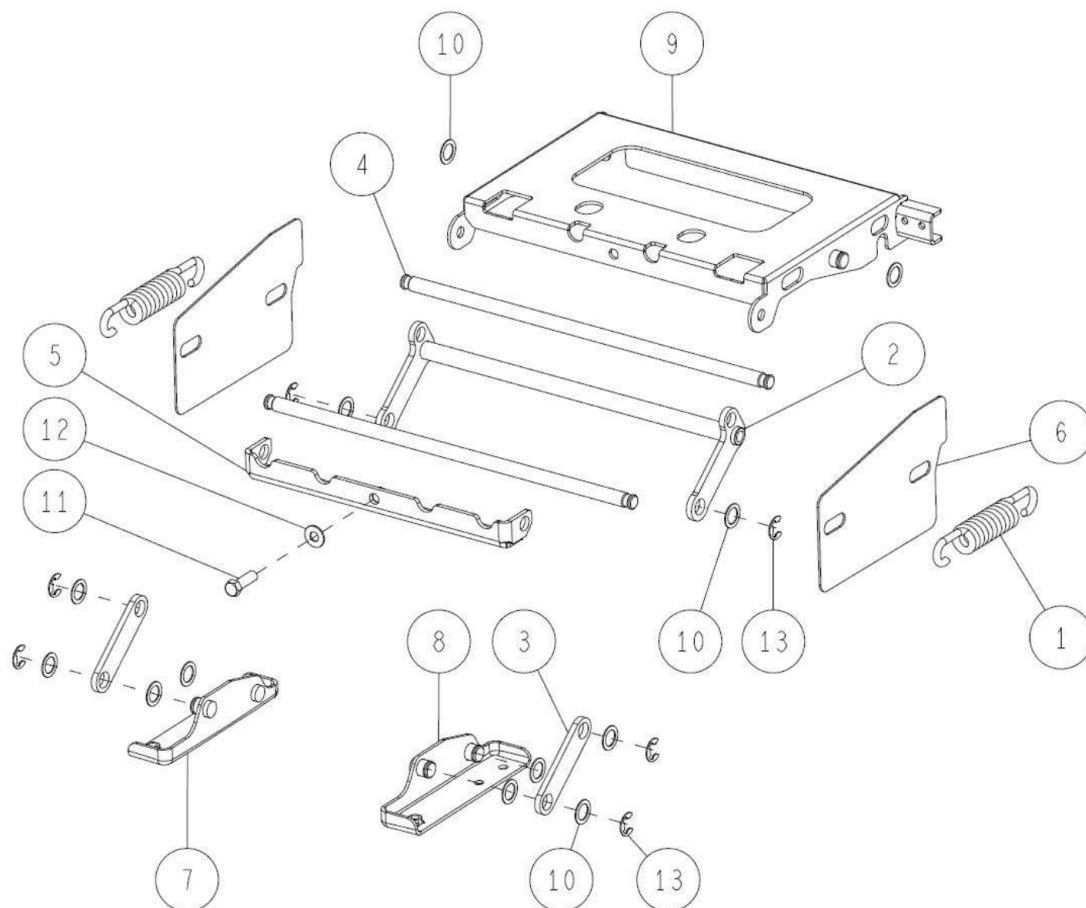
PL02682



05/2022

Number	Part Number	Name	Quantity
1	34225	SPRING	1,000
2	44005	HINGE	1,000
3	44006	SEAT LINK	1,000
4	44007	SEAT BRACKET AXLE	1,000
5	44008	AXLE BRACKET	1,000
6	44105	COVER SEAT BRACKET	1,000
7	44191	BRACKET FONT RIGHT	1,000
8	44192	BRACKET FRONT LEFT	1,000
9	44239	BRACKET	1,000
10	27364	WASHER 16X24X1	1,000
11	-	-	1,000
12	34327	WASHER 10	1,000
13	27313	SNAP RING E TYPE 12	1,000
91	44193	BRACKET	1,000

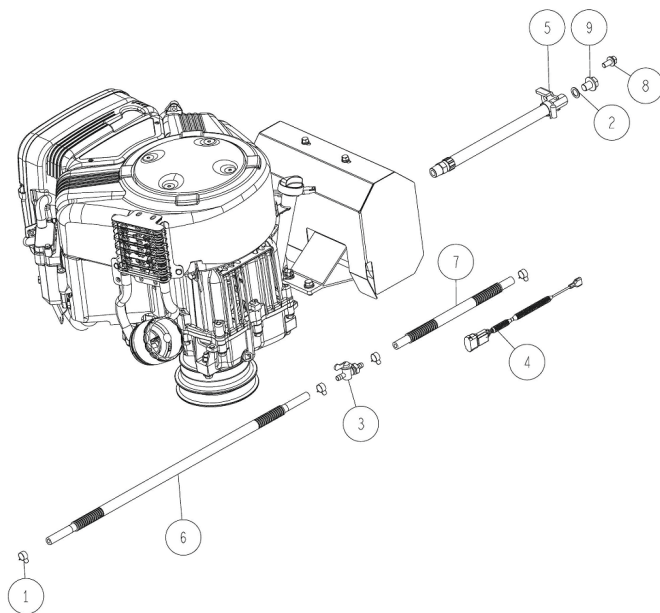
PL02381



11/2018

Number	Part Number	Name	Quantity
1	34288	COLLAR 17	1,000
2	27864	COPPER PACKING	1,000
3	34248	FUEL STOP VALVE	1,000
4	44347	ELEC.ENG.WIR.AV98X2	1,000
5	44348	OIL CHANGE HOSE	1,000
6	44078	FUEL LINE 600	1,000
7	44079	FUEL LINE 270	1,000
8	34309	SCREW M8X20	1,000
9	27865	FLANGE BOLT	1,000

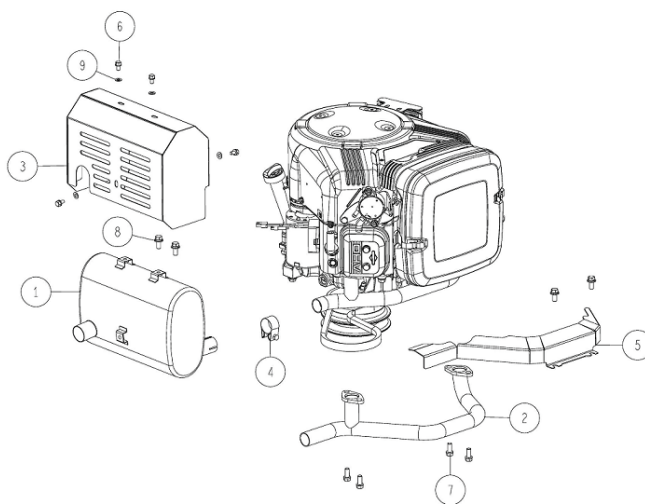
PL02678



05/2022

Number	Part Number	Name	Quantity
1	44016	MUFFLER	1,000
2	44349	EXHAUST MANIFOLD	1,000
3	44018	HOT PROTECTION	1,000
4	44034	KLAMP MUFFLER	1,000
5	44101	HEAT PROTECTION	1,000
6	-	-	1,000
7	34309	SCREW M8X20	1,000
8	34315	NUT 8	1,000
9	34318	WASHER 6	1,000

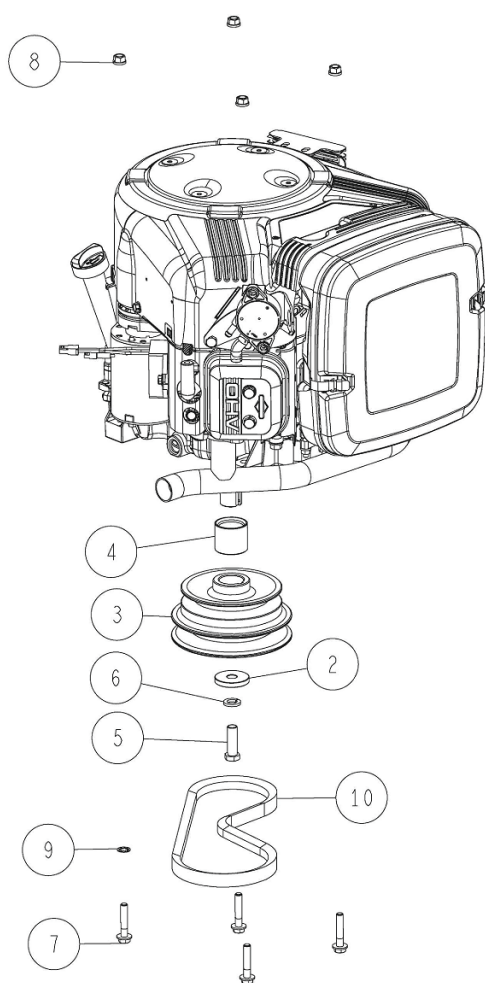
PL02679



05/2022

Number	Part Number	Name	Quantity
2	27713	WASHER 11X40X6	1,000
3	34828	ENGINE PULLEY	1,000
4	34175	BUSH	1,000
5	34755	SCREW 7/16-35	1,000
6	34297	WASHER 7/16	1,000
7	21114	BOLT 8X40	1,000
8	34315	NUT 8	1,000
9	34329	TOOTHED WASHER 8	1,000
10	27670	TRANSMISSION BELT	1,000

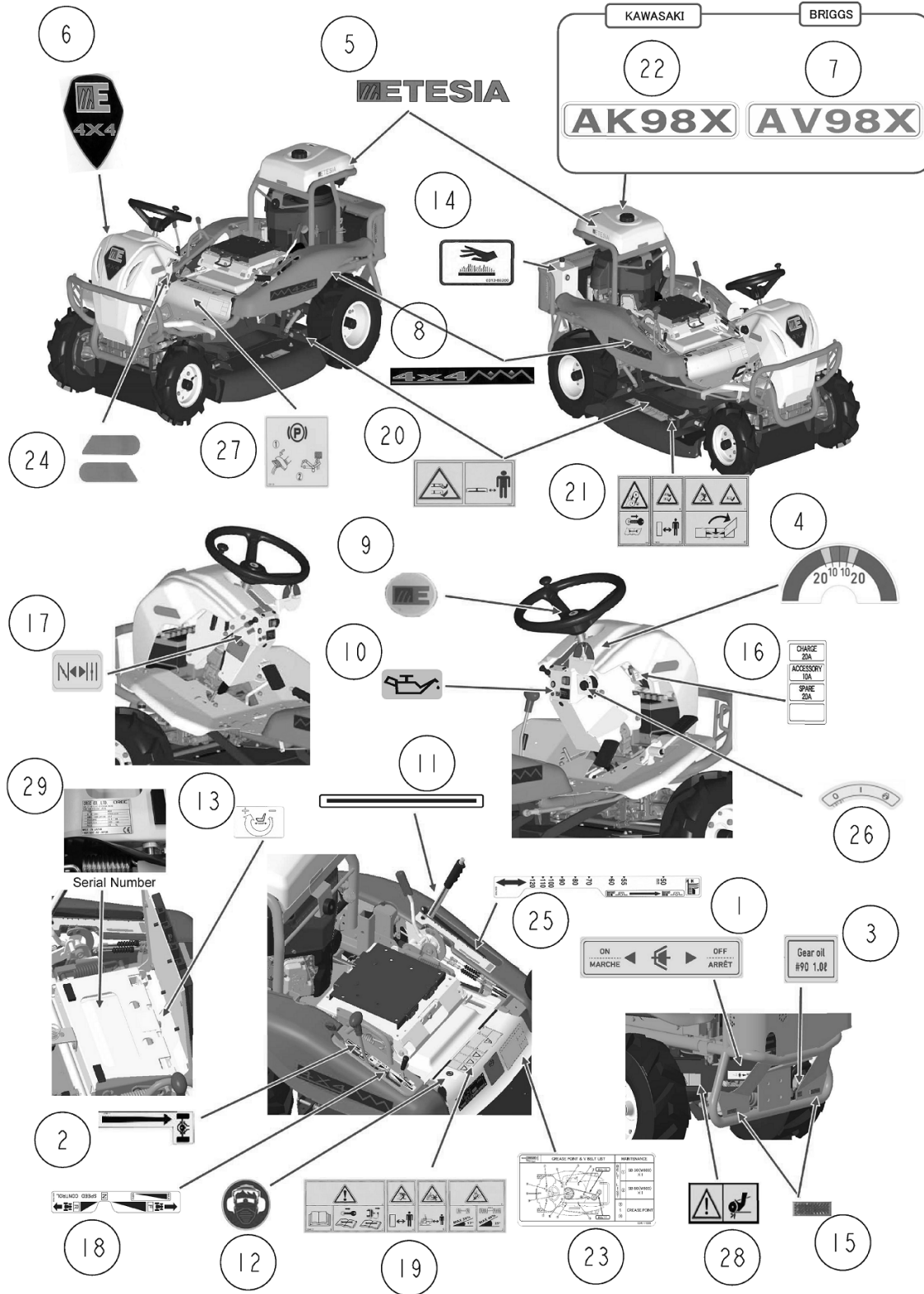
PL02680



05/2022

Number	Part Number	Name	Quantity
1	-	-	1,000
2	13168	LABEL DIFFER.LOCK	1,000
3	27903	OIL LABEL	1,000
4	34838	STICKER	1,000
5	13086	STICKER ETESIA	1,000
6	37338	STICKER	1,000
7	13368	STICKER AV98X	1,000
8	38038	STICKER 4X4	1,000
9	25330	BADGE - ETESIA	1,000
10	34281	STICKER OIL AV98	1,000
11	34282	STICKER CUT.HEIGHT	1,000
13	44040	STICKER SEAT	1,000
16	44097	STICKER	1,000
17	53082	STARTER STICKER	1,000
18	53077	STICKER	1,000
19	39422	STICKER	1,000
20	13062	STICKER CUT-DECK	1,000
21	13089	ETIQ. TRAPPE FR.	1,000
22	44165	STICKER AK98X	1,000
23	44166	STICKER MAINTENANCE	1,000
25	53079	CUTT.HEIGHT STICKER	1,000
26	13121	LABEL KEY	1,000
27	13113	STICKER	1,000
28	34580	STICKER	1,000

PL02681



05/2022